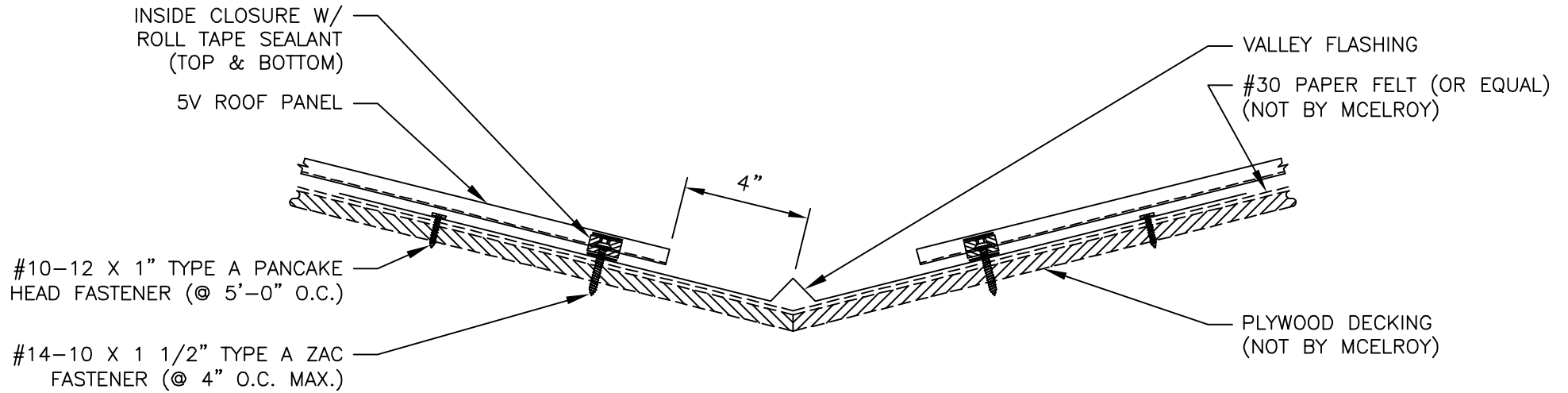


**\*NOTE:**  
 REFER TO FASTENER PATTERN  
 DETAIL PAGE FOR FASTENER  
 SPACING.



## VALLEY DETAIL

ISSUE/REVISION DATE:

11/17/2020

ROOF PANEL: 5V

SUBSTRATE: PLYWOOD

SCALE: N.T.S.