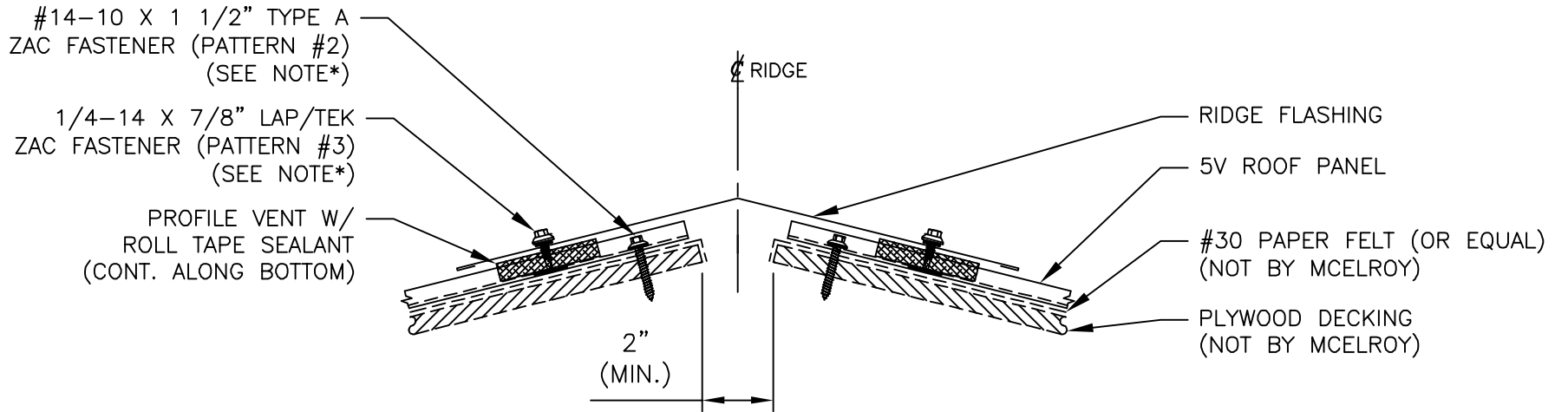


***NOTE:**
 REFER TO FASTENER PATTERN
 DETAIL PAGE FOR FASTENER
 SPACING.



RIDGE (VENTED) DETAIL

ISSUE/REVISION DATE:

11/17/2020

ROOF PANEL: 5V

SUBSTRATE: PLYWOOD

SCALE: N.T.S.