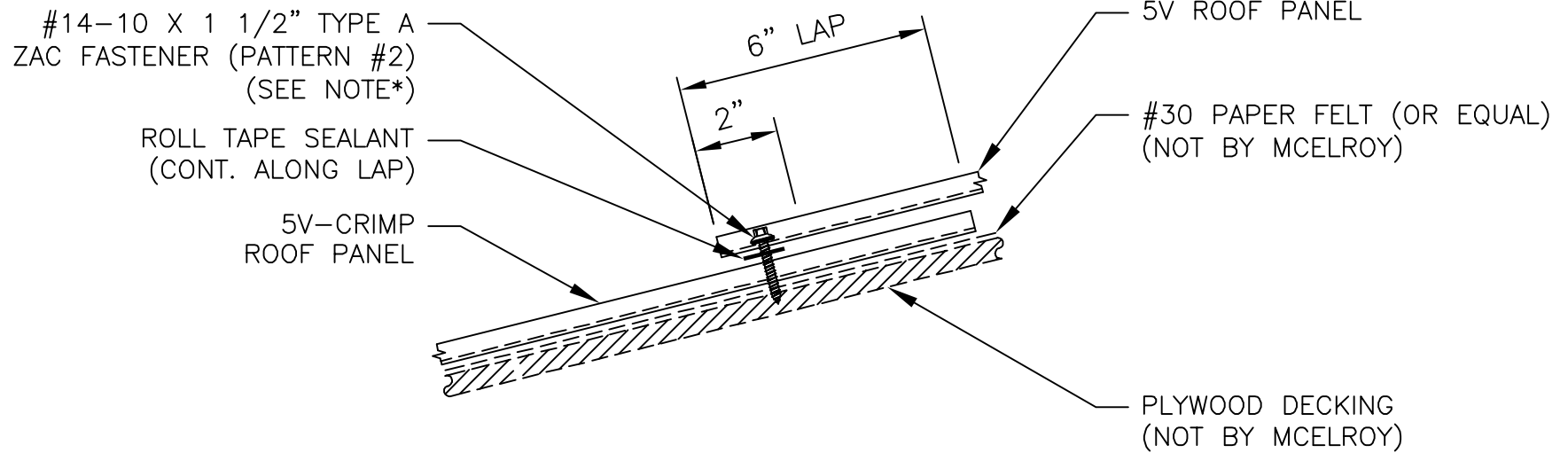


***NOTE:**
REFER TO FASTENER PATTERN
DETAIL PAGE FOR FASTENER
SPACING.



END LAP DETAIL

ISSUE/REVISION DATE:

11/17/2020

ROOF PANEL: 5V

SUBSTRATE: PLYWOOD

SCALE: N.T.S.