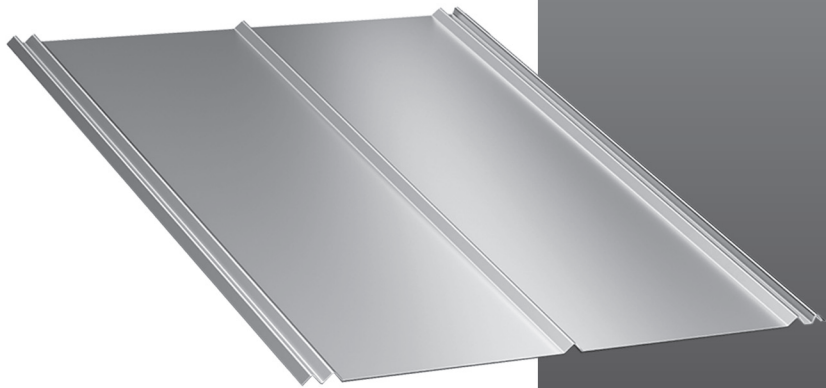


**5V PANEL**

**INSTALLATION**



# TABLE OF CONTENTS

PAGE NUMBER:	DETAIL DESCRIPTION
A-1.....	TABLE OF CONTENTS
A-2.....	GENERAL NOTES
B-1.....	FASTENER PATTERNS
C-1.....	EAVE DETAIL
C-2.....	EAVE with GUTTER DETAIL
C-3.....	RAKE DETAIL
C-4.....	RAKE TIE-IN DETAIL
C-5.....	RIDGE DETAIL
C-6.....	VENTED RIDGE DETAIL
C-7.....	HIP DETAIL
C-8.....	HIGH EAVE DETAIL
C-9.....	HIGH SIDE TIE-IN DETAIL
C-10.....	PANEL ENDLAP[ DETAIL
C-11.....	VALLEY DETAIL
C-12 & C-13.....	TYPICAL TRIM LAP DETAILS

# GENERAL NOTES

The details shown on the following pages are suggestions or guidelines for installing the 5V roof panel system over plywood. The installation details shown here are proven methods of construction, but they are not intended to cover all building requirements, designs or codes. The details may require changes or revisions due to individual project conditions.

Installation procedures shall be in accordance with the manufacturer's printed instructions, details or approved shop drawings. Installers should thoroughly familiarized themselves with all instructions prior to beginning the installation process.

The designer/installer is responsible to ensure the following:

That the details here meet the particular building requirements.

Awareness of and allowance for expansion/contraction of the roof panels.

That adequate water-tightness is maintained.

That a proper uniform substructure is used to avoid panel distortion and that the substructure meets necessary code requirements.

That all supporting members have been examined and are straight, level and plumb.

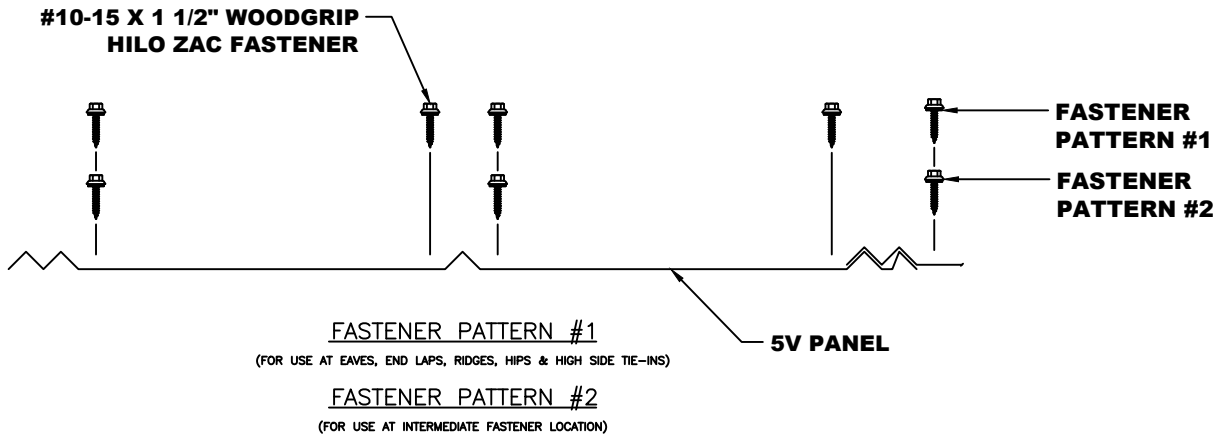
McElroy Metal can provide all flashings and accessories shown in the installation drawings unless noted otherwise. Panels, flashing and trim shall be installed true and in proper alignment with any exposed fasteners equally spaced for the best appearance. Sealant shall be field applied on a clean, dry surface.

Some field cutting and fitting of panels and flashings is to be expected and to be considered a part of normal installation work. Workmanship shall be of the best industry standards and with installation performed by experienced metal craftsmen.

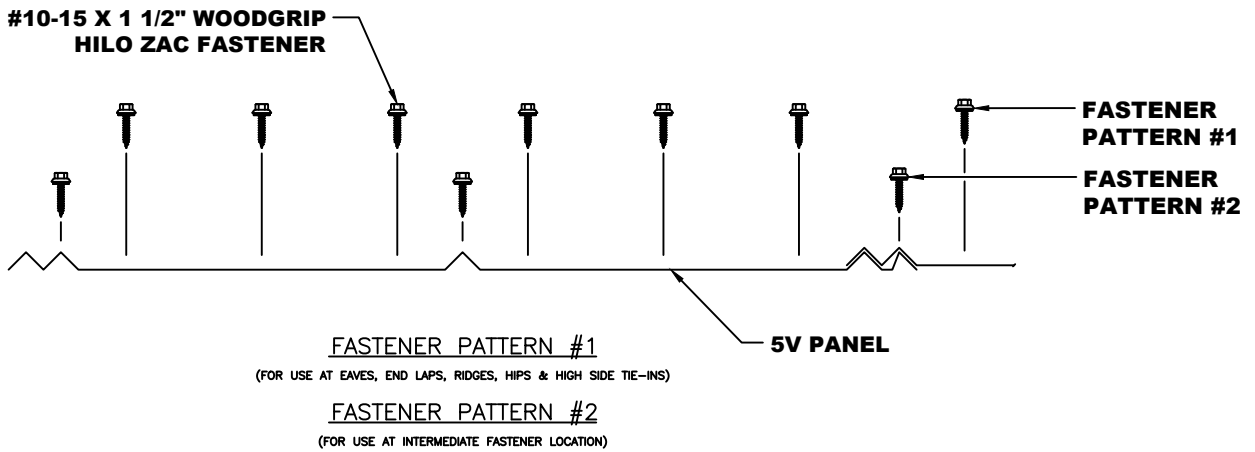
Oil canning of metal panels is inherent in metal and is not a cause for rejection. Striated panels are recommended to reduce the appearance of oil canning.

Contents of this manual are subject to change without notice. To confirm this book is the most current copy, please visit McElroy Metal's website at [www.mcelroymetal.com](http://www.mcelroymetal.com).

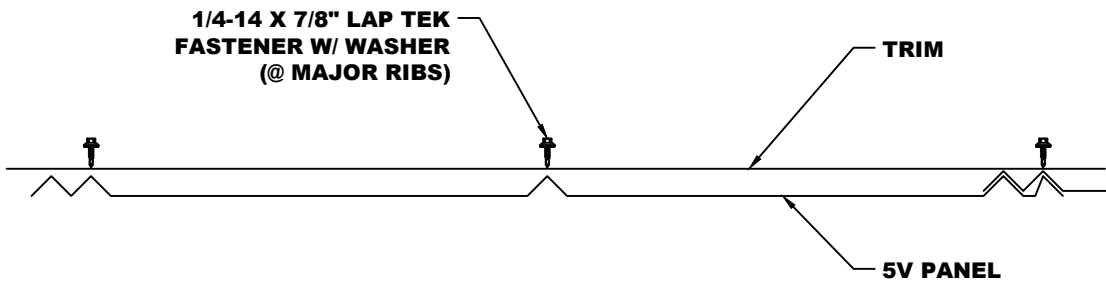
# FASTENER PATTERNS



## PANEL FRAMING AND STITCH FASTENER PATTERNS



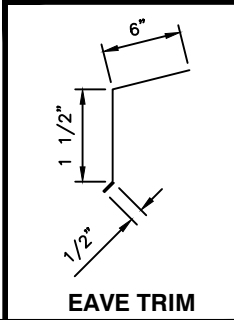
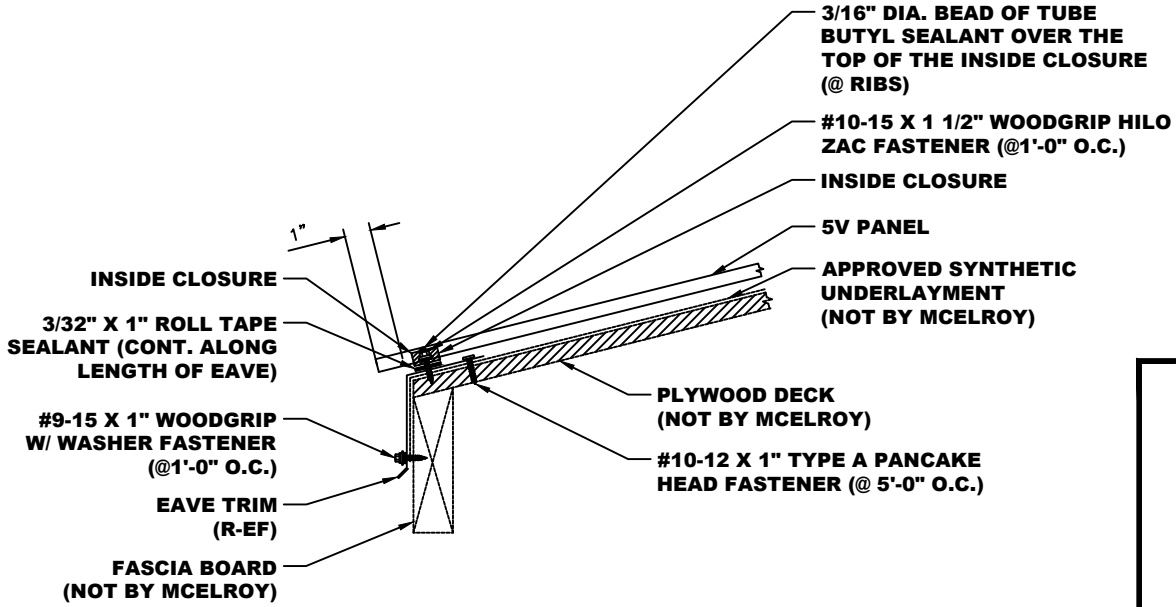
## ALTERNATE PANEL FRAMING FASTENER PATTERNS



## TRIM FASTENER PATTERN

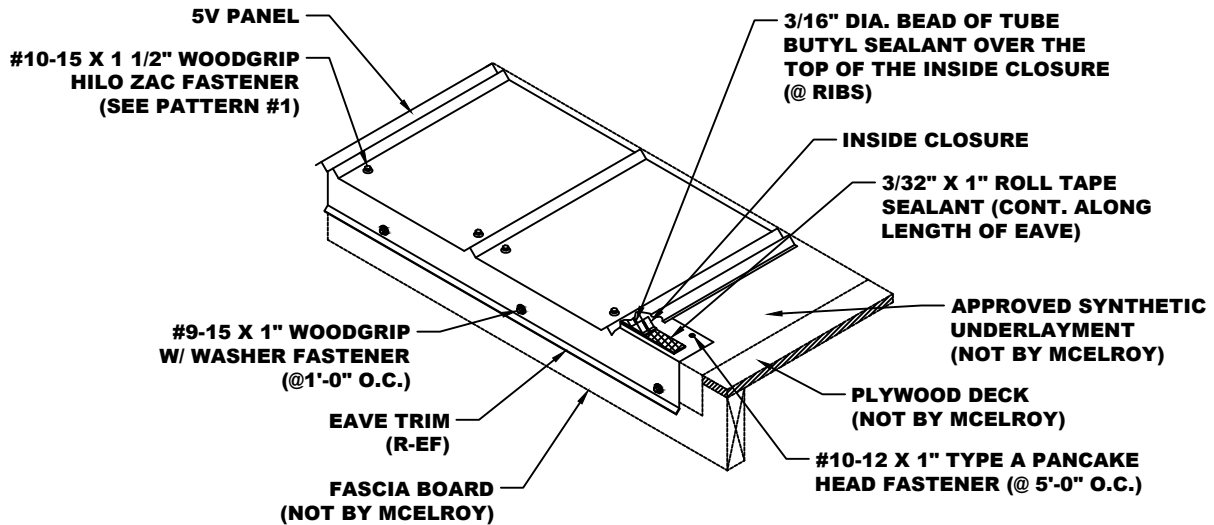


# EAVE DETAIL

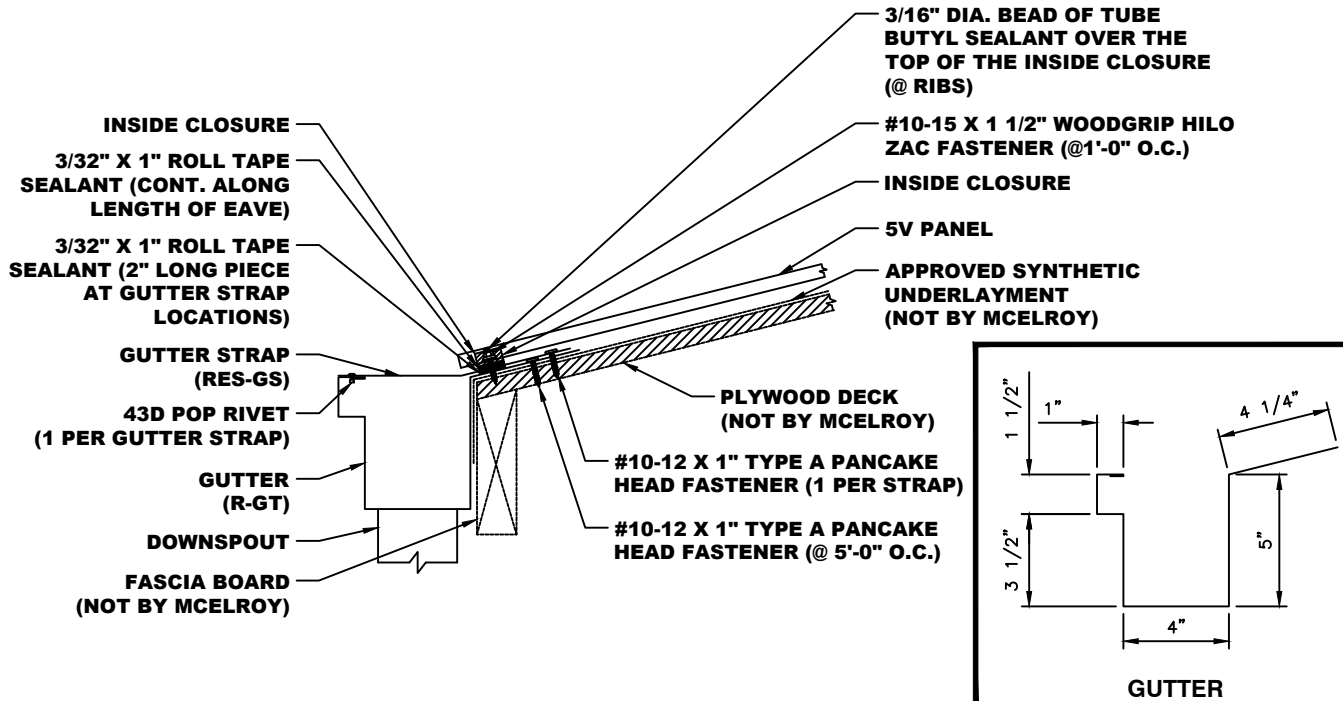


- NOTES:**
1. Attach Eave Trim to decking with #10-12 x 1" Type A Pancake Head Fasteners at 5'-0" O.C.
  2. Apply a continuous bead of 3/32" x 1" Roll Tape Sealant along the length of the Eave. Set Inside Closures on continuous bead of 1" Tape Sealant.
  3. Apply a 3/16" diameter bead of Tube Butyl Sealant on top of the Inside Closures at the rib locations.
  4. Set 5V Panel in place and attach to decking with #10-15 x 1 1/2" Woodgrip HiLo ZAC Fasteners. See page B-1 for Fastener Patterns.

\*NOTE: SOME TRIM ITEMS AND FASTENERS HAVE BEEN REMOVED FOR CLARITY OF ISOMETRIC DETAIL.

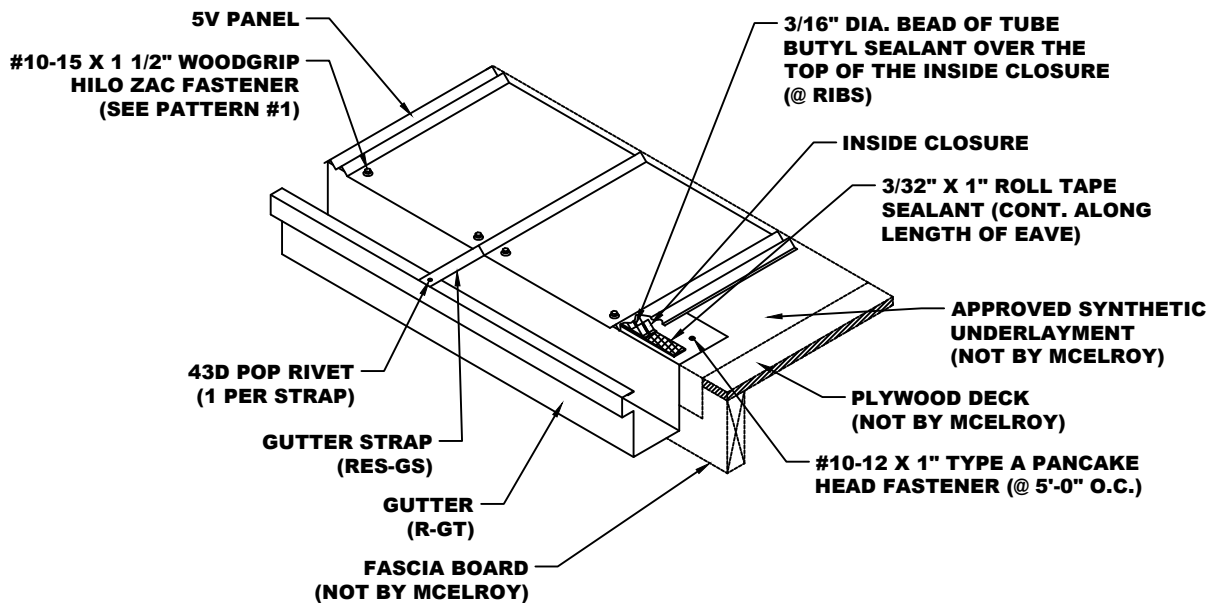


# EAVE w/ GUTTER DETAIL

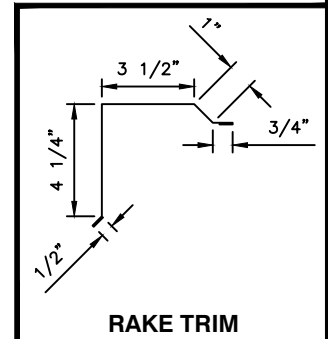
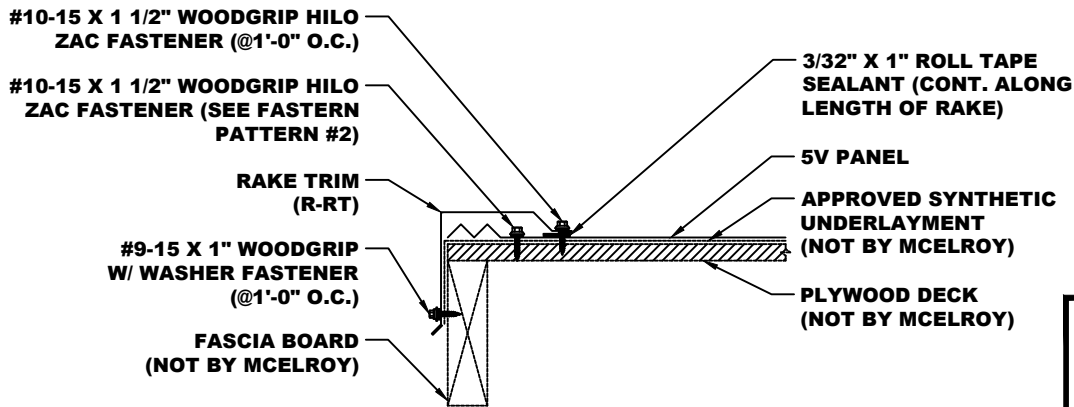


- NOTES:**
1. Attach Gutter to decking with #10-12 x 1" Type A Pancake Head Fasteners at 5'-0" O.C.
  2. Apply a 2" long piece of 3/32" x 1" Roll Tape Sealant on Gutter Flange where Gutter Straps will be located. Attached Gutter Straps to Gutter with a 43D Pop Rivet. Field bend Strap so it goes under 5V Panel and attach Gutter Straps to decking with one (1) #10-12 x 1" Type A Pancake Head Fasteners .
  3. Apply a continuous strip of 3/32" x 1" Roll Tape Sealant over top of 2" strips and Gutter Straps along the length of the eave and then set Inside Closures onto strip of Tape Sealant.
  4. Apply a 3/16" diameter bead of Tube Butyl Sealant on top of the Inside Closures at the rib locations.
  5. Set 5V Panel in place and attach to decking with #10-15 x 1 1/2" Woodgrip HiLo ZAC Fasteners.
- See page B-1 for Fastener Patterns.

\*NOTE: SOME TRIM ITEMS AND FASTENERS HAVE BEEN REMOVED FOR CLARITY OF ISOMETRIC DETAIL.

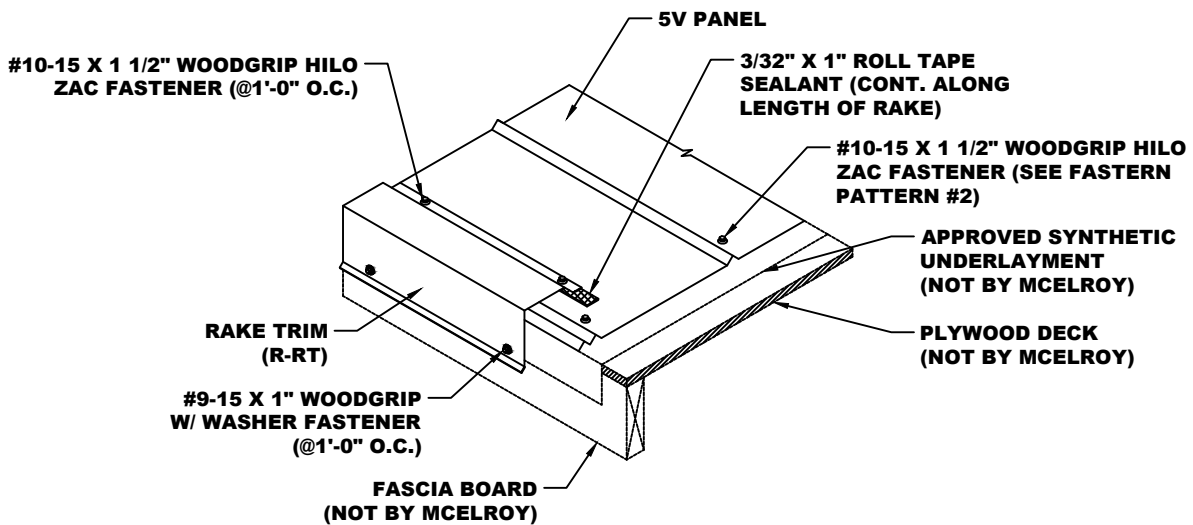


# RAKE DETAIL

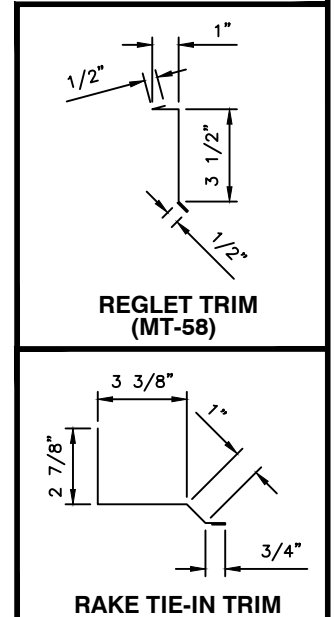
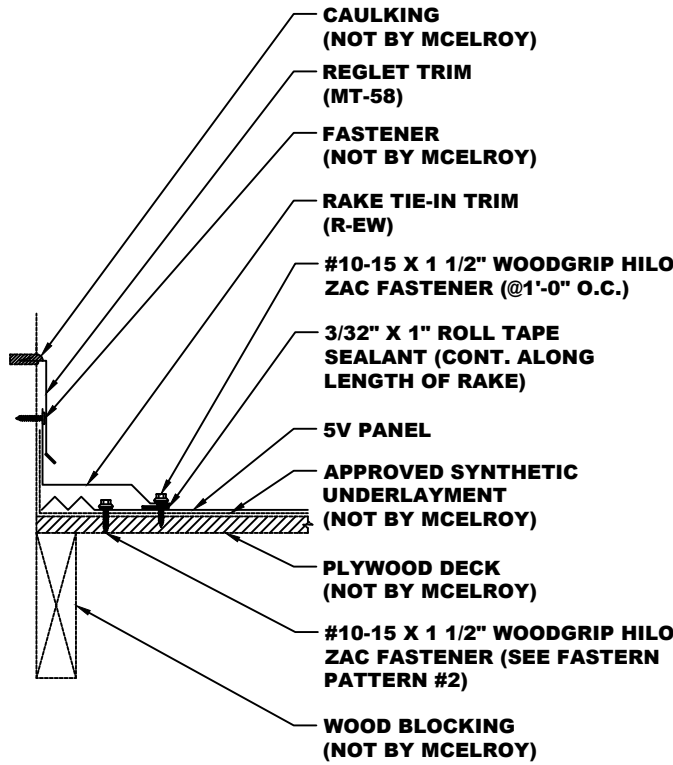


- NOTES:**
1. After completing all the Eave Detail requirements, install the 5-V Panel with #10-15 x 1 1/2" Woodgrip HILO ZAC Fasteners per the required fastener spacing and pattern #2.
  2. Apply a continuous bead of 3/32" x 1" Roll Tape Sealant along the length of the Rake Trim and then place the Rake Trim in position as shown and attach with #10-15 x 1 1/2" Woodgrip HILO ZAC Fasteners at 1'-0" O.C. making sure the fastener goes thru the Tape Sealant.
  3. Attach the Rake Trim to the Fascia Board with #9-15 x 1" Woodgrip w/ Washer Fasteners at 1'-0" O.C.

\*NOTE: SOME TRIM ITEMS AND FASTENERS HAVE BEEN REMOVED FOR CLARITY OF ISOMETRIC DETAIL.

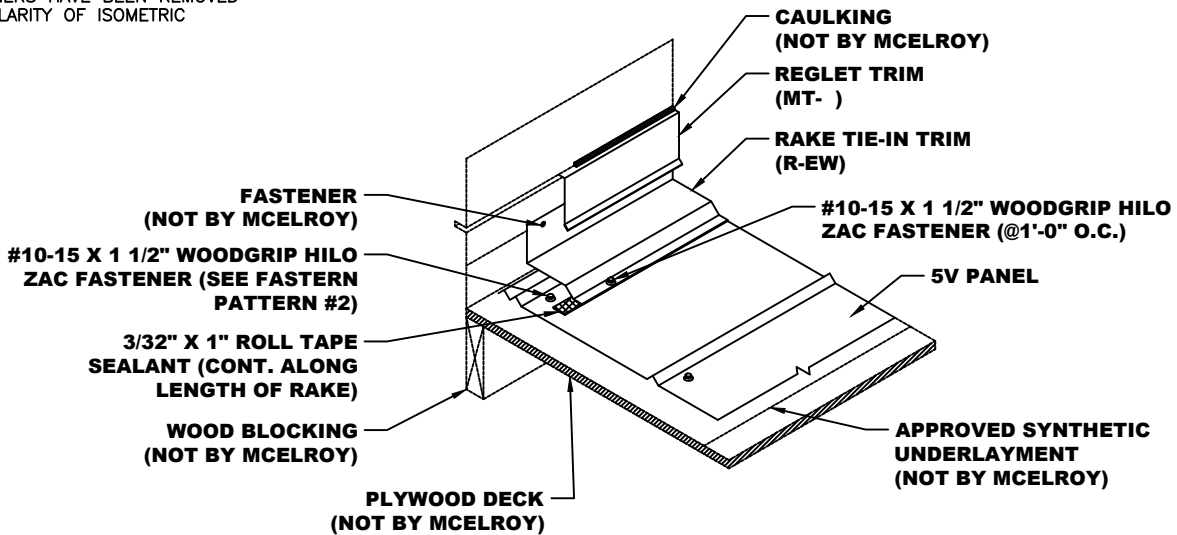


# RAKE TIE-IN DETAIL

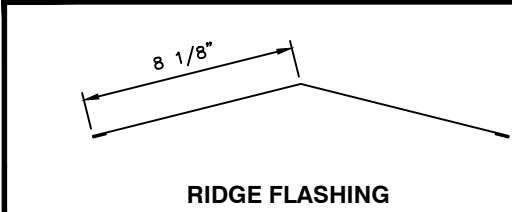
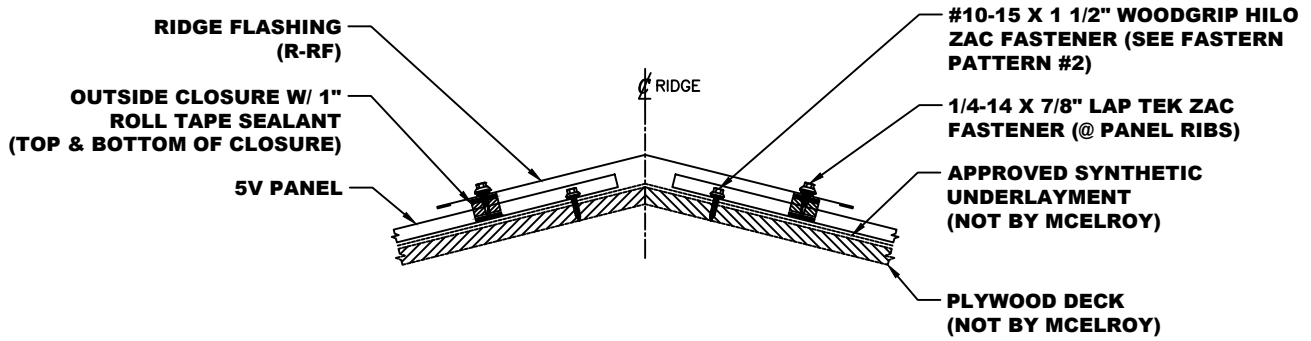


- NOTES:**
1. After completing all the Eave Detail requirements, install the 5-V Panel with #10-15 x 1 1/2" Woodgrip HILO ZAC Fasteners per the required fastener spacing and pattern #2.
  2. Apply a continuous bead of 3/32" x 1" Roll Tape Sealant along the length of the Rake Tie-In Trim and then place the Rake Tie-In Trim in position as shown. Attach with #10-15 x 1 1/2" Woodgrip HILO ZAC Fasteners at 1'-0" O.C. making sure the fastener goes thru the Tape Sealant. Attach Rake Tie-In Trim to end wall with Fasteners (not by McElroy). Install Reglet Trim (MT-58) as shown and seal with Caulking.
  3. Attach the Rake Trim to the Fascia Board with #9-15 x 1" Woodgrip w/ Washer Fasteners at 1'-0" O.C.

\*NOTE: SOME TRIM ITEMS AND FASTENERS HAVE BEEN REMOVED FOR CLARITY OF ISOMETRIC DETAIL.

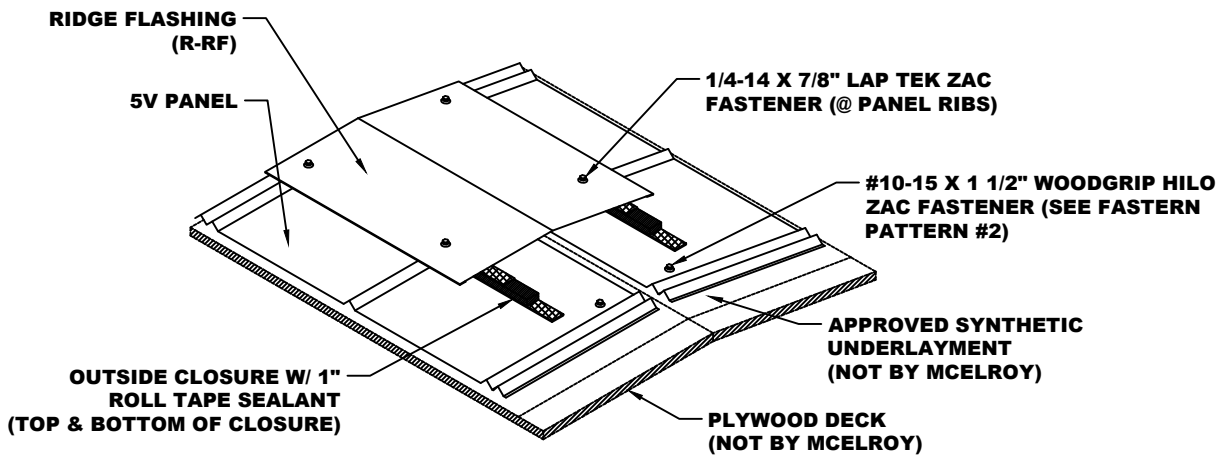


# RIDGE DETAIL

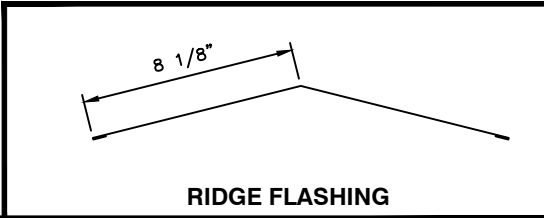
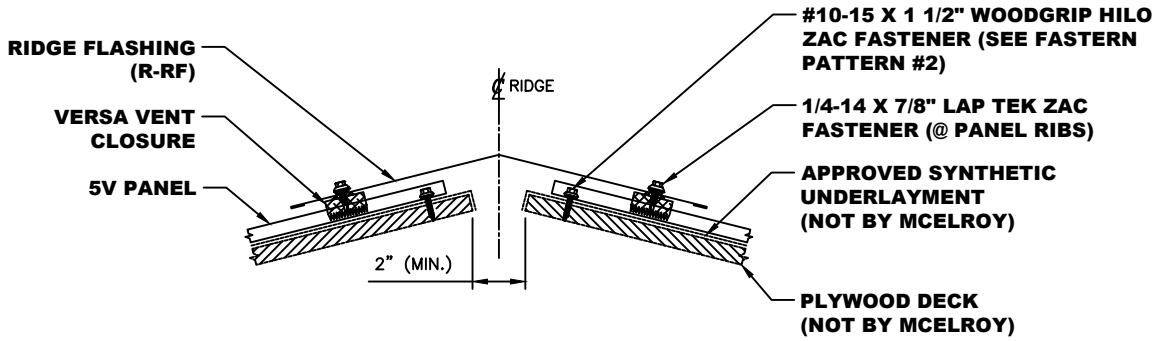


- NOTES:**
1. Install the 5V Panels 1" downhill of each side of the ridge. Attach with #10-15 x 1 1/2" Woodgrip HILO ZAC Fasteners per the required fastener spacing and pattern.
  2. Apply a continuous bead of 3/32" x 1" Roll Tape Sealant on the panels along the length of the ridge and then place Outside Closures in sealant. Apply another continuous bead of 3/32 x 1" Roll Tape Sealant on top of the Outside Closures along the length of the Ridge.
  3. Attach the Ridge Flashing as shown with 1/4-14 x 7/8" Lap Tek Fasteners w/ Washer to each major rib of the 5-V Panel.

\*NOTE: SOME TRIM ITEMS AND FASTENERS HAVE BEEN REMOVED FOR CLARITY OF ISOMETRIC DETAIL.

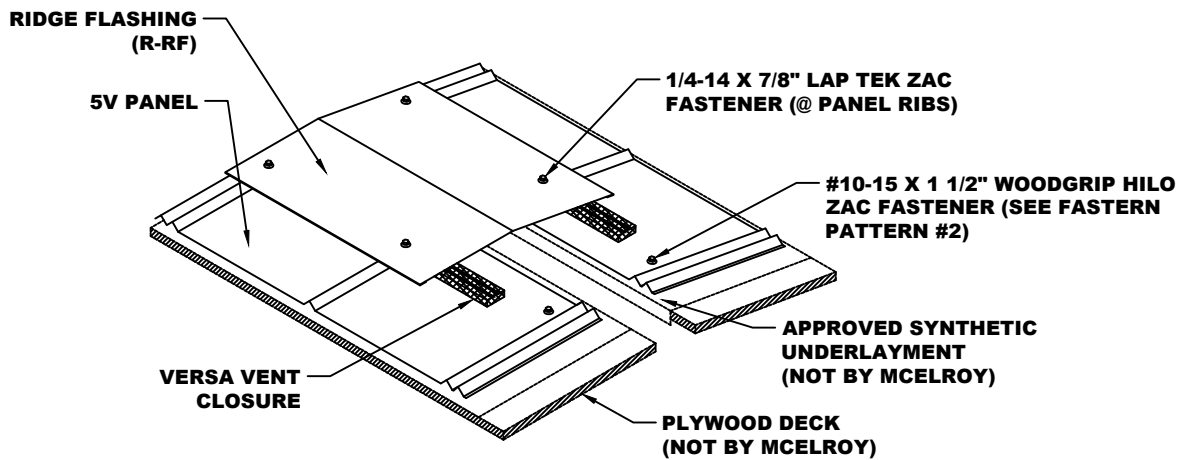


# VENTED RIDGE DETAIL

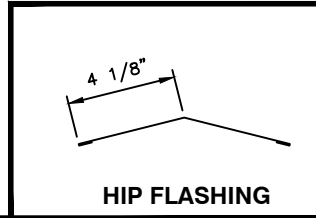
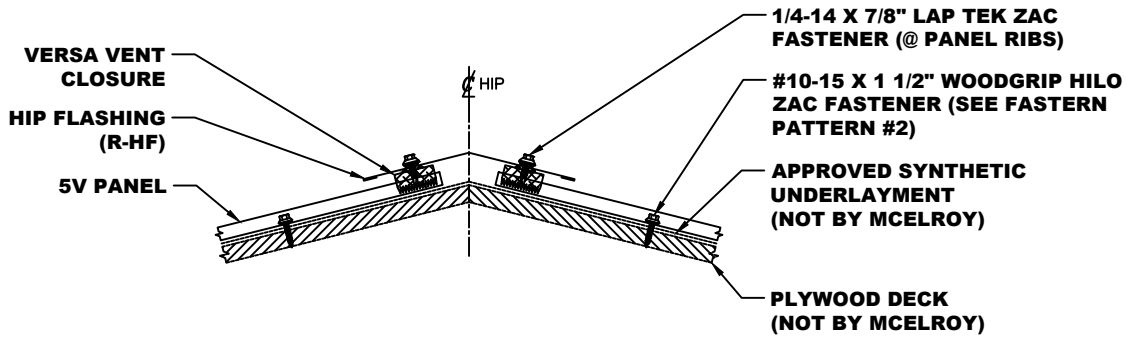


- NOTES:**
1. Install the 5V Panels 1" downhill of each side of the ridge. Attach with #10-15 x 1 1/2" Woodgrip HILO ZAC Fasteners per the required fastener spacing and pattern.
  2. Adhere Versa Vent Closure to the underside of the Ridge Flashing by exposing the adhesive strip. Position Versa Vent Closure as shown.
  3. Attach the Ridge Flashing as shown with 1/4-14 x 7/8" Lap Tek Fasteners w/ Washer to each major rib of the 5-V Panel.

\*NOTE: SOME TRIM ITEMS AND FASTENERS HAVE BEEN REMOVED FOR CLARITY OF ISOMETRIC DETAIL.

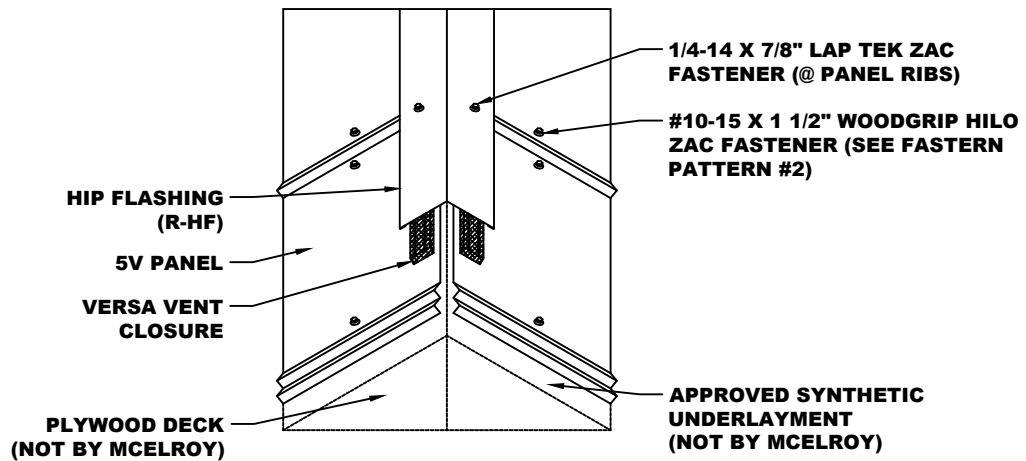


# HIP DETAIL

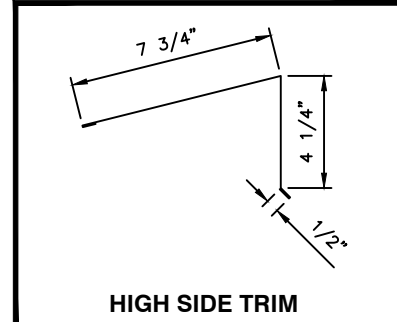
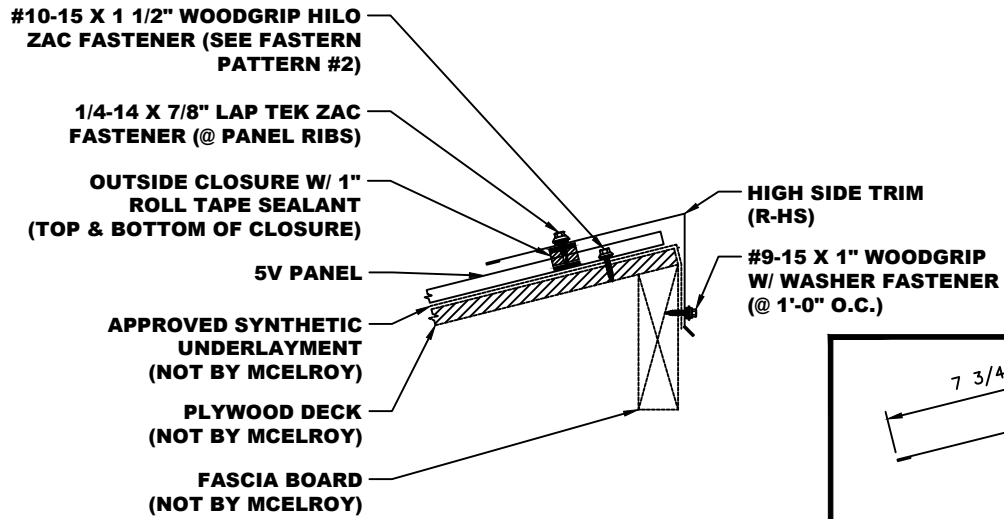


- NOTES:**
1. Install the 5V Panels 1" downhill of each side of the ridge. Attach with #10-15 x 1 1/2" Woodgrip HILO ZAC Fasteners per the required fastener spacing and pattern.
  2. Adhere Versa Vent Closure to the underside of the Hip Flashing by exposing the adhesive strip. Position Versa Vent Closure as shown.
  3. Attach the Hip Flashing as shown with 1/4-14 x 7/8" Lap Tek Fasteners w/ Washer to each major rib of the 5-V Panel.

\*NOTE: SOME TRIM ITEMS AND FASTENERS HAVE BEEN REMOVED FOR CLARITY OF ISOMETRIC DETAIL.

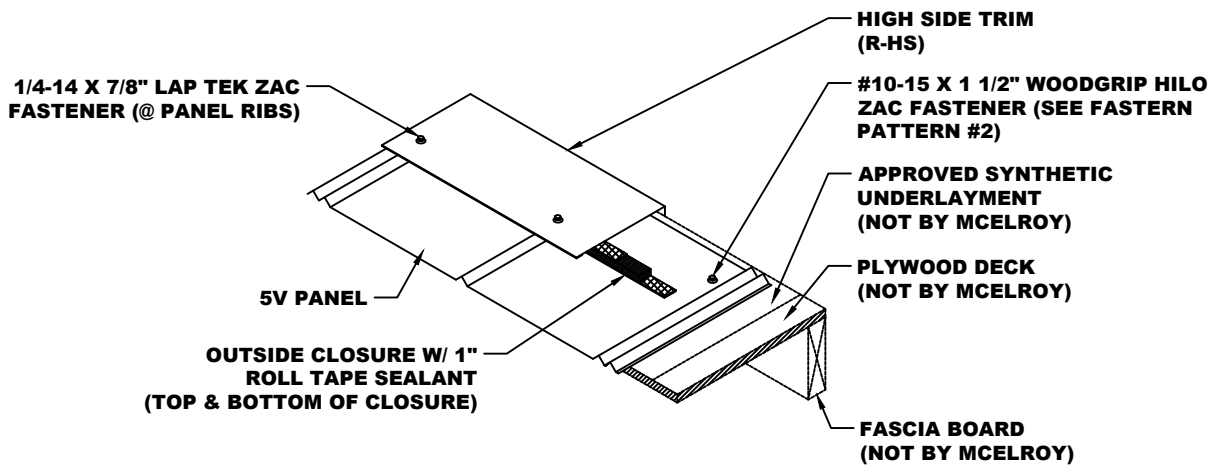


# HIGH EAVE DETAIL



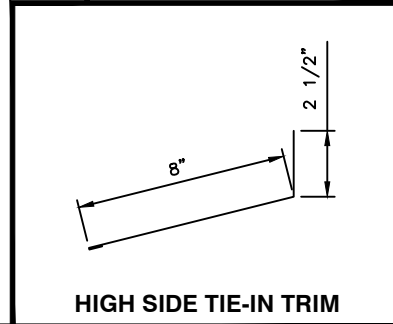
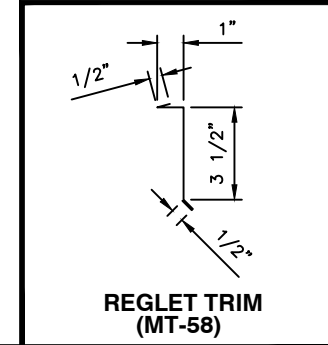
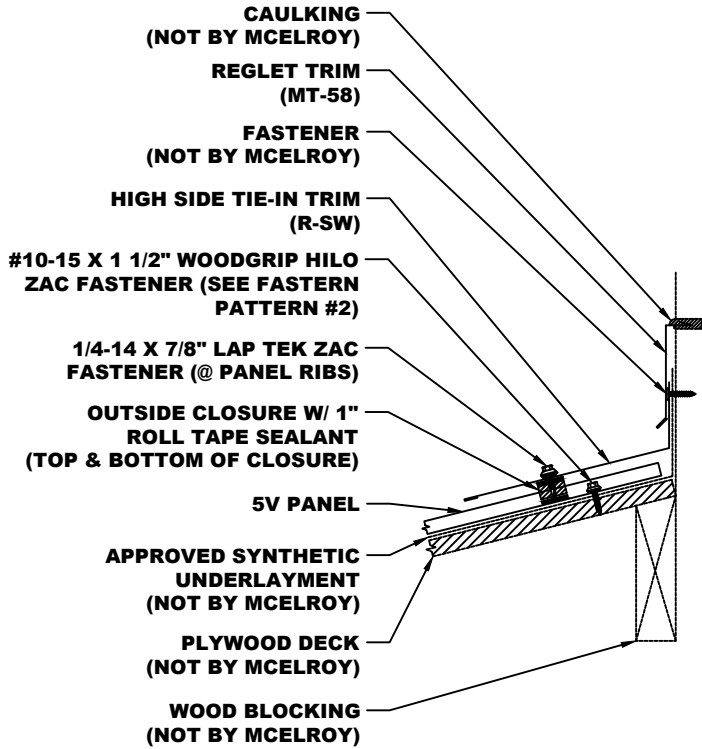
- NOTES:**
1. Install the 5V Panels 1" downhill of each side of the ridge. Attach with #10-15 x 1 1/2" Woodgrip HILO ZAC Fasteners per the required fastener spacing and pattern.
  2. Apply a continuous bead of 3/32" x 1" Roll Tape Sealant on the panels along the length of the eave and then place Outside Closures in sealant. Apply another continuous bead of 3/32 x 1" Roll Tape Sealant on top of the Outside Closures along the length of the eave.
  3. Attach the High Side Flashing as shown with 1/4-14 x 7/8" Lap Tek Fasteners w/ Washer to each major rib of the 5-V Panel.

\*NOTE: SOME TRIM ITEMS AND FASTENERS HAVE BEEN REMOVED FOR CLARITY OF ISOMETRIC DETAIL.

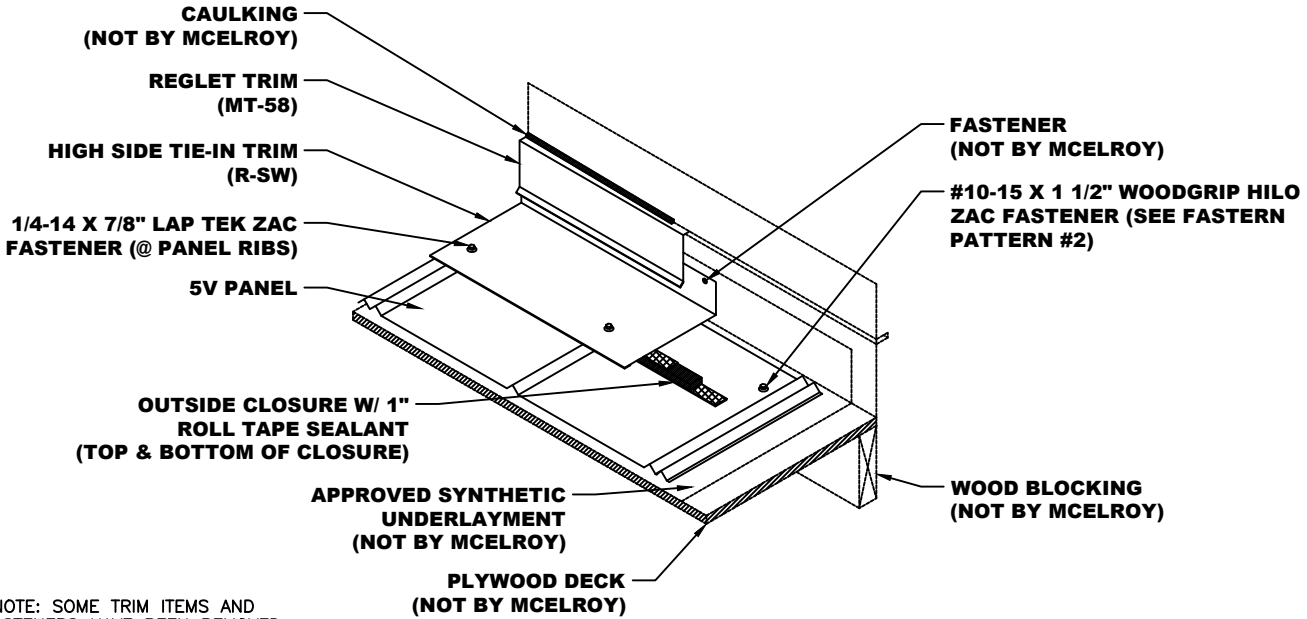




# HIGH SIDE TIE-IN DETAIL



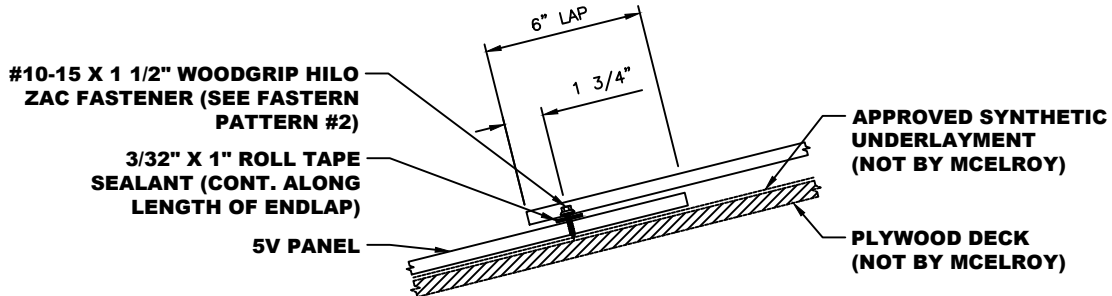
- NOTES:**
1. Install the 5V Panels 1" downhill of each side of the headwall. Attach with #10-15 x 1 1/2" Woodgrip HILO ZAC Fasteners per the required fastener spacing and pattern.
  2. Apply a continuous bead of 3/32" x 1" Roll Tape Sealant on the panels along the length of the headwall and then place Outside Closures in sealant. Apply another continuous bead of 3/32 x 1" Roll Tape Sealant on top of the Outside Closures along the length of the headwall.
  3. Attach the High Side Tie-In Trim as shown with 1/4-14 x 7/8" Lap Tek Fasteners w/ Washer to each rib of the 5-V Panel. Attache High Side Tie-In Trim to headwall with Fasteners (not by McElroy). Install Reglet Trim (MT-58) as shown and seal with Caulking.



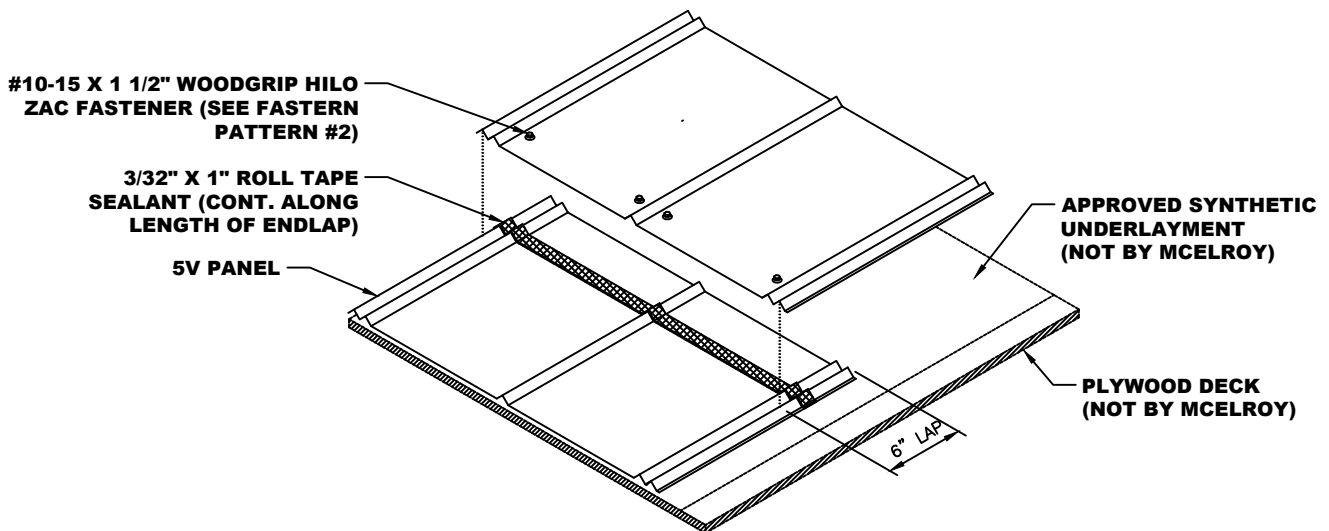
\*NOTE: SOME TRIM ITEMS AND FASTENERS HAVE BEEN REMOVED FOR CLARITY OF ISOMETRIC DETAIL.



# PANEL ENDLAP DETAIL

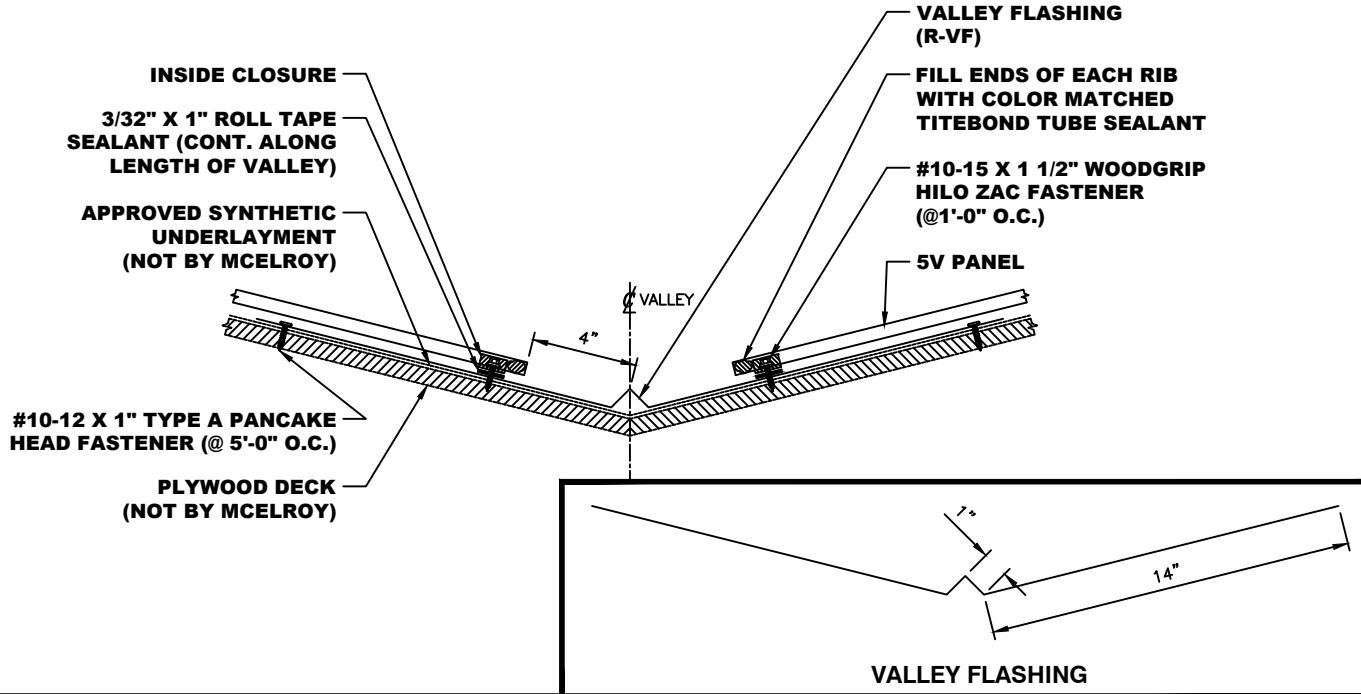


- NOTES:**
1. Install the lower 5V Panels as required and attach with #10-15 x 1 1/2" Woodgrip HILO ZAC Fasteners per the required fastener spacing and pattern.
  2. Apply a continuous bead of 3/32" x 1" Roll Tape Sealant on the panels along the length of the endlap 4" down for the end of the panel.
  3. Lay upper 5V Panel in panel and attach with #10-15 x 1 1/2" Woodgrip HILO ZAC Fasteners per the required fastener spacing and pattern.

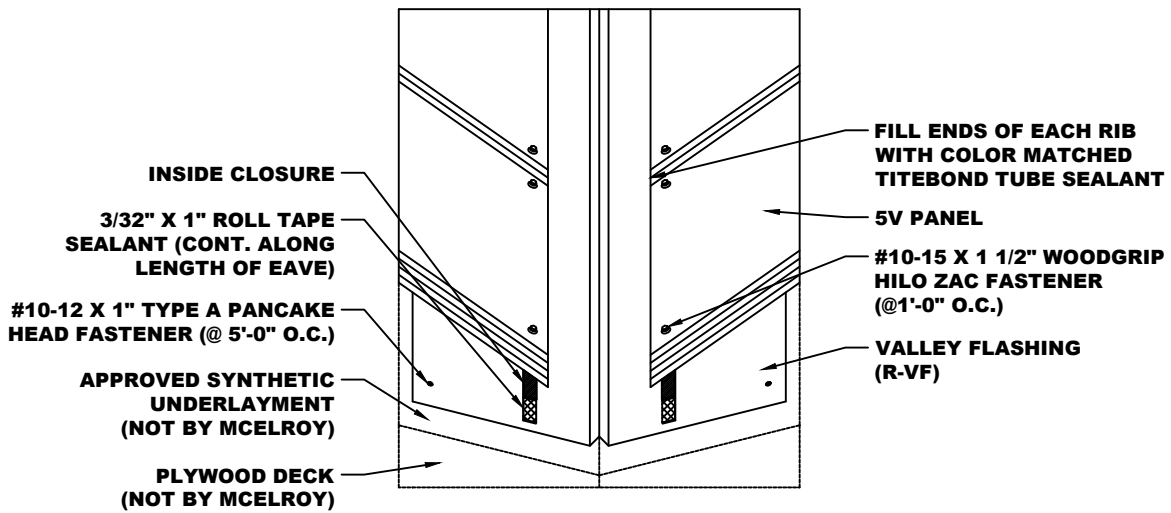


\*NOTE: SOME TRIM ITEMS AND FASTENERS HAVE BEEN REMOVED FOR CLARITY OF ISOMETRIC DETAIL.

# VALLEY DETAIL

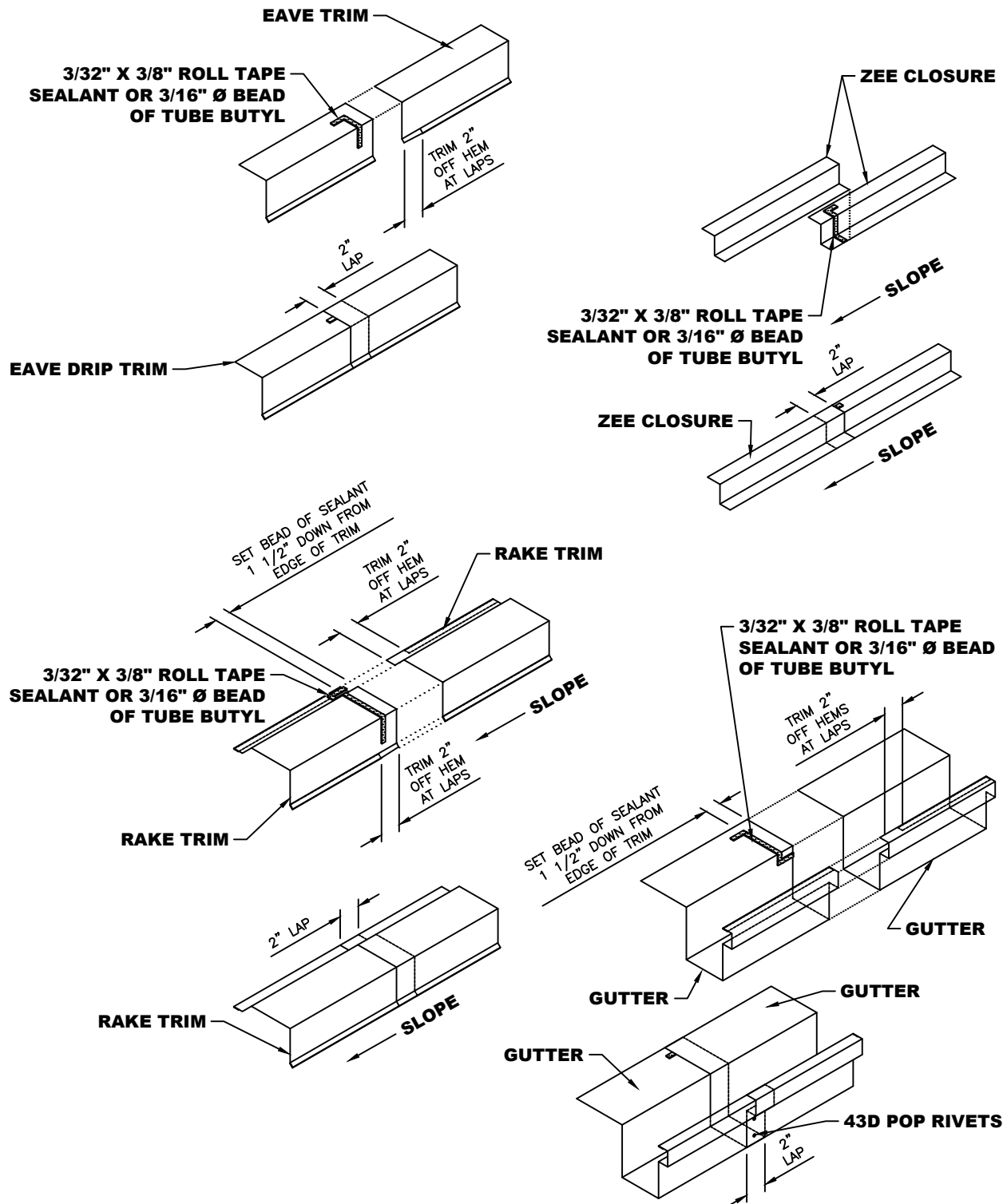


- NOTES:**
1. Install the Valley Trim as shown and attach with #10-12 x 1" Type A Pancake Head Fasteners at 5'-0" O.C.
  2. Apply a continuous bead of 1" Tape Sealant to the Valley Trim. Then set the Inside Closures onto the tape sealant. When you get to a panel rib, you will have to break Inside Closure and align rib portion of closure so it seals the rib.
  3. Field cut the 5-V Panels to the correct valley angle and set in place as shown. Attach with #10-15 x 1 1/2" Woodgrip HILO ZAC Fasteners per the fastener pattern.
  4. Fill ends of panel ribs with color matched Titebond Tube Sealant.



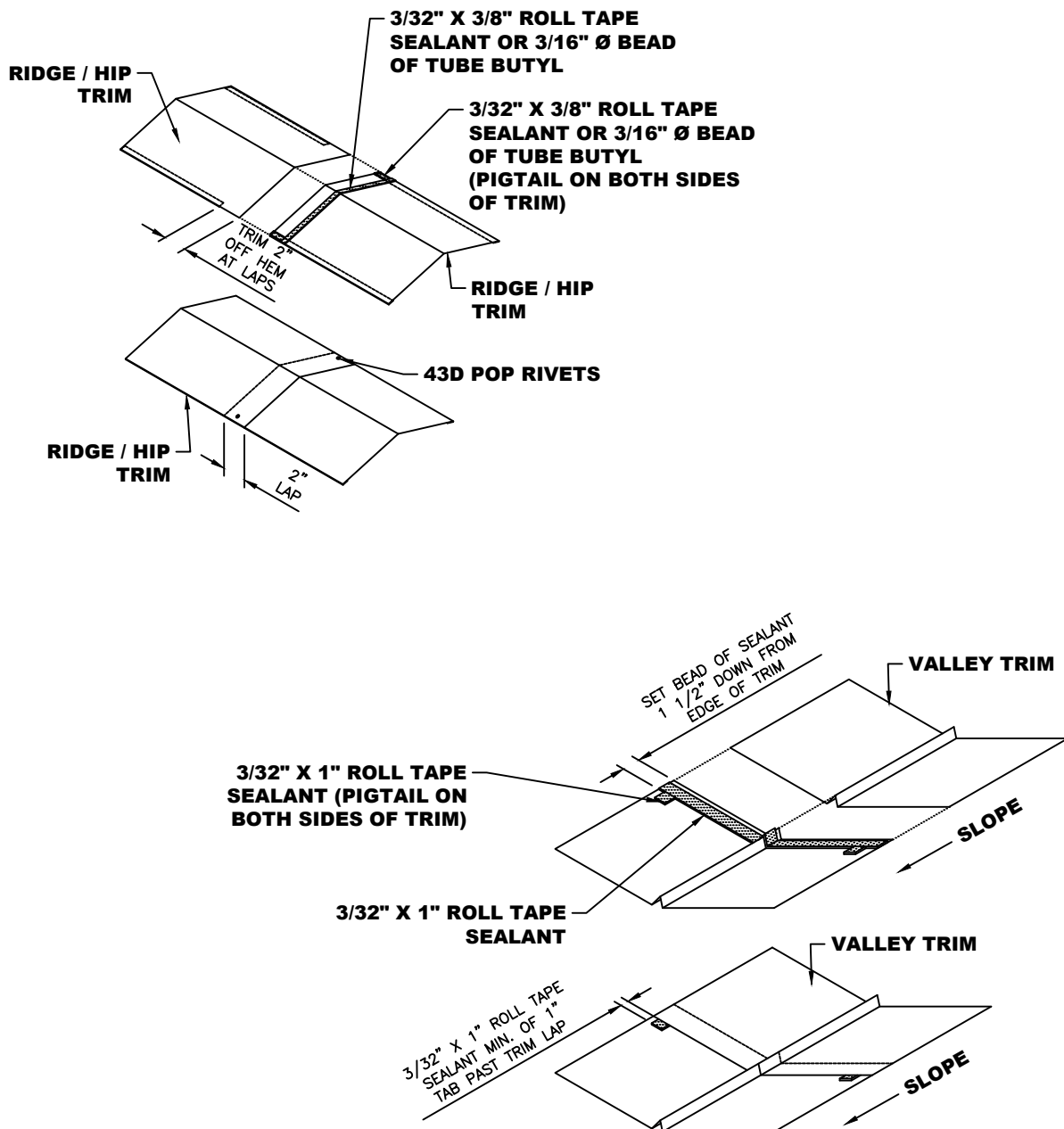
\*NOTE: SOME TRIM ITEMS AND FASTENERS HAVE BEEN REMOVED FOR CLARITY OF ISOMETRIC DETAIL.

# TYPICAL TRIM LAP DETAIL



**NOTE:** 1. Apply specified Roll Tape Sealant or a 3/16" Ø bead of Tube Butyl 1 1/2" back from the edge of the trim. Also, apply a piece of tape sealant or bead of Tube Butyl as a Pigtail to completely seal joint.  
 2. Notch the hems on the upper trim piece 2" so that the trim will fit flat in the lap joint.  
 3. Secure trim laps with Pop Rivets as shown above.

# TYPICAL TRIM LAP DETAIL



**NOTE:** 1. Apply specified Roll Tape Sealant or a 3/16" Ø bead of Tube Butyl 1 1/2" back from the edge of the trim. Also, apply a piece of tape sealant or bead of Tube Butyl as a Pigtail to completely seal joint.  
 2. Notch the hems on the upper trim piece 2" so that the trim will fit flat in the lap joint.  
 3. Secure trim laps with Pop Rivets as shown above.

☆ MANUFACTURING LOCATIONS ● SERVICE CENTERS ★ MANUFACTURING AND SERVICE CENTER



**CORPORATE OFFICE**  
1500 HAMILTON RD.  
BOSSIER CITY, LA 71111

**MANUFACTURING LOCATIONS**

ADELANTO, CA      ASHBURN, GA      BOSSIER CITY, LA      CLINTON, IL      DIAMOND, MO  
HOUSTON, TX      LEWISPORT, KY      LOCKHART, TX      MARSHALL, MI      MAUSTON, WI  
MERKEL, TX      PEACHTREE CITY, GA      SUNNYVALE, TX      WINCHESTER, VA

**McELROY METAL**  
**SERVICE**  
C E N T E R  
EMPLOYEE OWNED

17031 Koala Road Adelanto, CA 92301	5215 Leo St. Alexandria, LA 71301	1007 Wilso Dr, Baltimore, MD 21223	1500 Hamilton Rd. Bossier City, LA 71111
3052 Yadkin Road Chesapeake, VA 23323	9476 Meadowbrook Rd. Clinton, IL 61727	3215 Highway 59 Diamond, MO 64840	390 N. Valley Dell Dr. Fenton, MO 63026
409 Lovejoy Road Ft. Walton Beach, FL 32548	3014 Lincoln Court Garland, TX 75041	1440 Aldine Bender Road Houston, TX 77032	221 Benelli Drive Hutto, TX 78634
10504 E. 59th Street Indianapolis, IN 46236	32 Industrial Circle Lancaster, PA 17601	9435 US Hwy. 60 W. Lewisport, KY 42351	2701 Cahill Street Lockhart, TX 78644
1020 Veterans Street Mauston, WI 53948	5123 Terminal Dr. McFarland, WI 53558	514 Cave Road Nashville, TN 37210	8304 Hwy. 70 E. North Little Rock, AR 72117
613 North Bierdeman Rd. Pearl, MS 39208	8511 Industrial Drive Pearland, TX 77584	2755 Hwy 60 Pendergrass, GA 30567	7450 Tower Street Richland Hills, TX 76118
8200 Berry Ave. Suite 100 Sacramento, CA 95828	1365 Dean Forest Rd. Savannah, GA 31405	7355 Oakley Industrial Blvd. Union City, GA 30291	1144 Silstar Rd. West Columbia, SC 29170
325 McGhee Rd. Winchester, VA 22603			

Website: [www.mcelroymetal.com](http://www.mcelroymetal.com) • E-mail: [info@mcelroymetal.com](mailto:info@mcelroymetal.com)