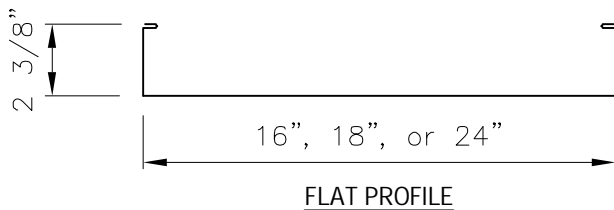
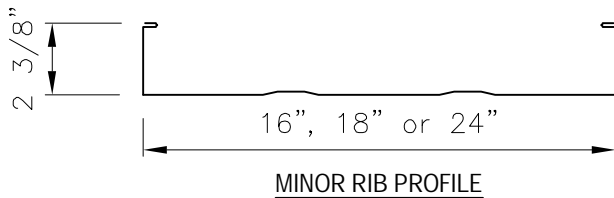
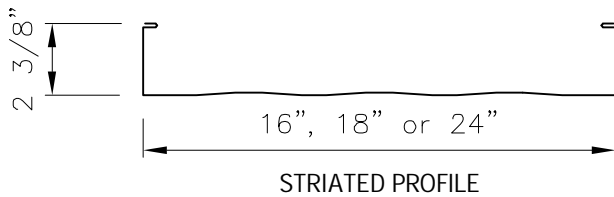
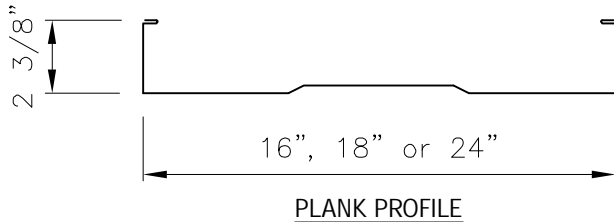
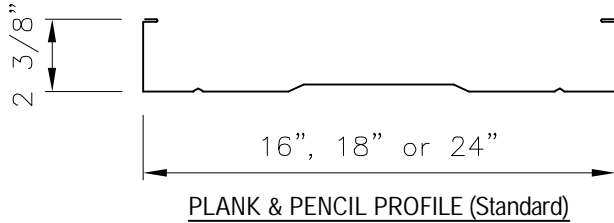


238T Symmetrical Panel

Product Data



Applications

Symmetrical roof/wall panel used on slopes down to 1/4:12. Continuous length up to 200'. Tapered panels and convex curving available - 24ft radius minimum.

Substrates

Bar Joist, Open Purlin, Plywood, Metal Deck, Re-Roof over existing Modified, Built-up, Single-ply or Metal.

Material

Standard - 24 GA. ASTM A792 (50 ksi)
 Optional - 22 GA. ASTM A792 (50 ksi)
 .032 and .040 Aluminum ASTM B209 3003
 and 20 oz. Copper ASTM B370

Manufacturing

Roll formed in factory or at jobsite. Curved at jobsite. (24" panels formed on-site only)

Finishes

Acrylic Coated Galvalume®
 Fluoropolymer (Kynar 500® PVDF resin-based)

Pan Conditions

Plank & Pencil Rib, Plank, Striated, Minor Ribs and Flat (Oil canning is inherent in all metal panels and is not cause for panel rejection. A signed oil canning acknowledgement will be required for all orders prior to production.)

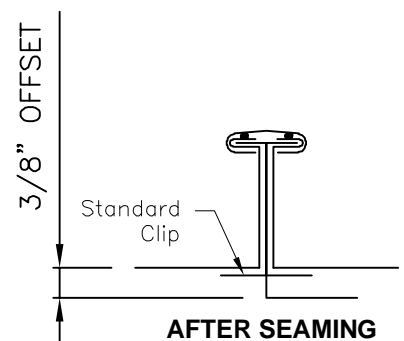
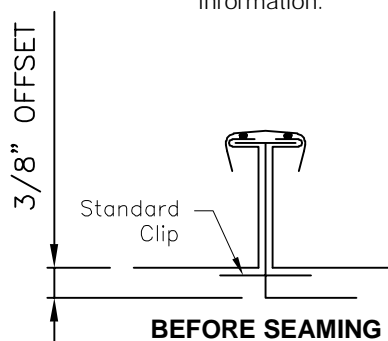
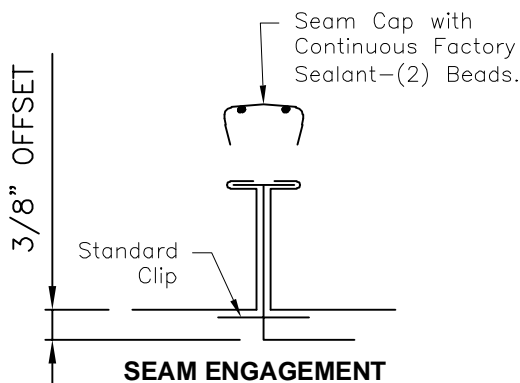
Testing/Agency Approvals *

Uplift: FM 4471 Class 1-75, Class 1-195
 UL 580 Class 90
 ASTM E1592
 Static Water: FM 4471 Appendix G, ASTM E2140
 Air & Water Infiltration: ASTM E1680, ASTM E1646
 Impact Resistance: UL Class 4, FM Class 1-SH
 Fire Rating: UL Class A
 Texas Windstorm: RC-270
 Florida Building Code: 16606.1, 16606.2, 16606.3
 Miami Dade: NOA# 15-1216.03

Testing and Approvals are product specific. Please inquire for details.

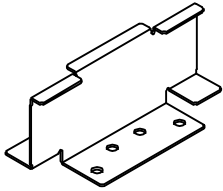
NOTE:

All data represented on this sheet may not be applicable to all widths and gauges. Please contact McElroy Metal for more information.



238T Symmetrical Panel (Continued)

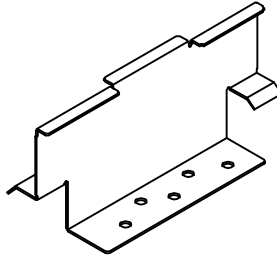
Product Data



STANDARD CLIP

16 GA.

Standard: Galvanized G90 - ASTM A653 (50 ksi)
Optional: Stainless 304SS - ASTM A240 (50 ksi)



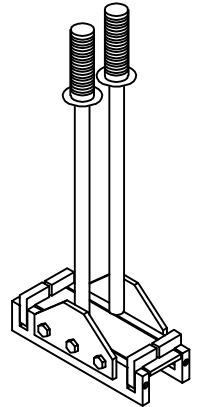
RETROFIT CLIP

16 GA.

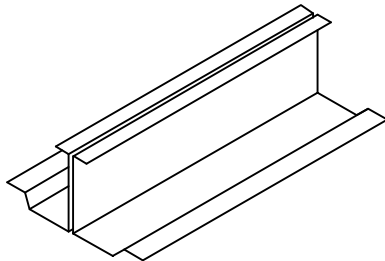
Standard: Galvanized G90 - ASTM A653 (50 ksi)
Optional: Stainless 304SS - ASTM A240 (50 ksi)



MECHANICAL SEAMER



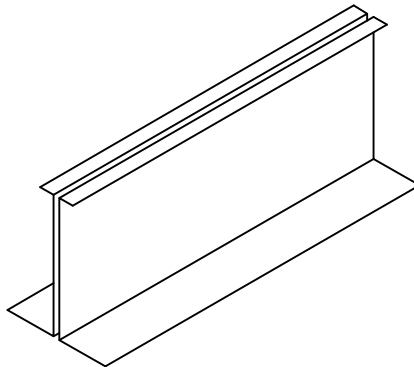
HAND SEAMER



MULTI-SPAN CLIP

2-Piece

Standard: 24 GA. - ASTM A792 (50 ksi)
Optional: 22 GA. - ASTM A792 (50 ksi)
Typically sold in 10' lengths



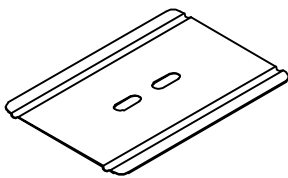
TALL MULTI-SPAN CLIP

2-Piece

Standard: 24 GA. - ASTM A792 (50 ksi)
Optional: 22 GA. - ASTM A792 (50 ksi)
Typically sold in 10' lengths

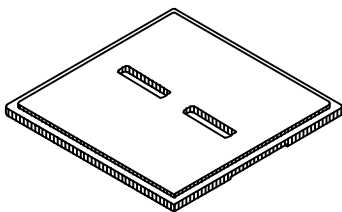
NOTE:

All data represented on this sheet may not be applicable to all widths and gauges. Please contact McElroy Metal for more information.



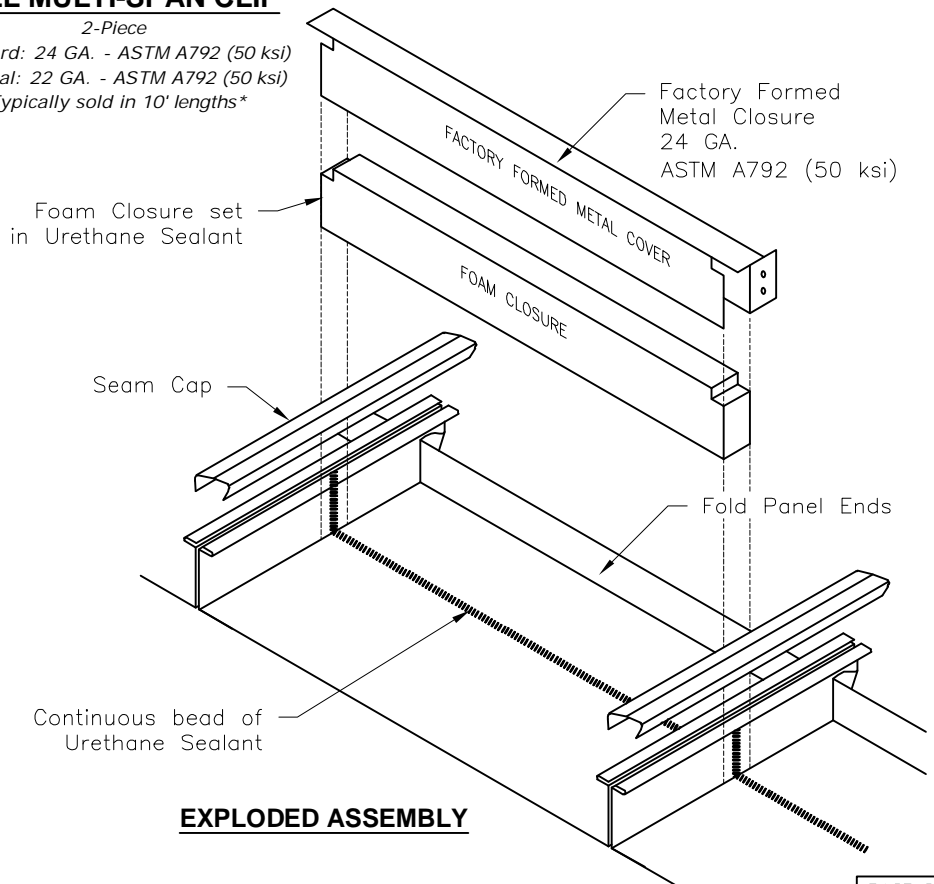
BEARING PLATE

24 GA. - ASTM A792 (50ksi)



STACKABLE LEVELING SHIM

6" x 6" x 1/4" Thick



EXPLODED ASSEMBLY