



DEPARTMENT OF REGULATORY AND ECONOMIC RESOURCES (RER)
BOARD AND CODE ADMINISTRATION DIVISION

MIAMI-DADE COUNTY
PRODUCT CONTROL SECTION
11805 SW 26 Street, Room 208
Miami, Florida 33175-2474
T (786) 315-2590 F (786) 315-2599

NOTICE OF ACCEPTANCE (NOA)

www.miamidade.gov/economy

McElroy Metal, Inc.
1500 Hamilton Road
Bossier City, LA 71111

SCOPE:

This NOA is being issued under the applicable rules and regulations governing the use of construction materials. The documentation submitted has been reviewed and accepted by Miami-Dade County RER- Product Control Section to be used in Miami Dade County and other areas where allowed by the Authority Having Jurisdiction (AHJ).

This NOA shall not be valid after the expiration date stated below. The Miami-Dade County Product Control Section (In Miami Dade County) and/or the AHJ (in areas other than Miami Dade County) reserve the right to have this product or material tested for quality assurance purposes. If this product or material fails to perform in the accepted manner, the manufacturer will incur the expense of such testing and the AHJ may immediately revoke, modify, or suspend the use of such product or material within their jurisdiction. RER reserves the right to revoke this acceptance if it is determined by Miami-Dade County Product Control Section that this product or material fails to meet the requirements of the applicable building code.

This product is approved as described herein and has been designed to comply with the High Velocity Hurricane Zone of the Florida Building Code.

DESCRIPTION: “ 238T ” 24 Ga. (0.023” min.) Steel Roof Panels System

APPROVAL DOCUMENT: Drawing titled “ 238T 18” 24 GA. Panel ”, sheets 1 through 5 of 5, prepared by McElroy Metal, Inc., dated November 20, 2015, signed and sealed by Johnathan Green, P.E., on January 27, 2021, bearing the Miami-Dade County Product Control Revision stamp with the Notice of Acceptance number and the expiration date by the Miami-Dade County Product Control Section.

MISSILE IMPACT RATING: Large and Small Missile Impact Resistant

LABELING: Each panel shall bear a permanent label with the manufacturer's name or logo, Clinton, IL; Peachtree City, GA; Adelanto, GA; Houston, TX and the following statement: "Miami-Dade County Product Control Approved", unless otherwise noted herein.

RENEWAL of this NOA shall be considered after a renewal application has been filed and there has been no change in the applicable building code negatively affecting the performance of this product.

TERMINATION of this NOA will occur after the expiration date or if there has been a revision or change in the materials, use, and/or manufacture of the product or process. Misuse of this NOA as an endorsement of any product, for sales, advertising or any other purposes shall automatically terminate this NOA. Failure to comply with any section of this NOA shall be cause for termination and removal of NOA.

ADVERTISEMENT: The NOA number preceded by the words Miami-Dade County, Florida, and followed by the expiration date may be displayed in advertising literature. If any portion of the NOA is displayed, then it shall be done in its entirety.

INSPECTION: A copy of this entire NOA shall be provided to the user by the manufacturer or its distributors and shall be available for inspection at the job site at the request of the Building Official.

This NOA revises NOA #17-0829.06 and consists of this page 1, evidence submitted pages E-1 and E-2 as well as approval document mentioned above.

The submitted documentation was reviewed by **Helmy A. Makar, P.E., M.S.**



Helmy A. Makar
02/18/2021

NOA No. 20-1215.09
Expiration Date: 08/11/2021
Approval Date: 02/18/2021

McElroy Metal, Inc.

NOTICE OF ACCEPTANCE: EVIDENCE SUBMITTED

1. EVIDENCE SUBMITTED UNDER PREVIOUS APPROVAL #15-1216.03

A. DRAWINGS:

1. *Drawing titled " 238T 18" 24 GA. Panel ", prepared by McElroy Metal, Inc., dated November 20, 2015, signed and sealed by Chander P. Nangia, P.E., on July 15, 2016.*

B. TESTS

1. *Test report on Large Missile Impact Test, prepared by Force Engineering & Testing, Inc., Test Report # 90-0083T-15E, dated 11/11/15, signed and sealed by Terrence E. Wolfe, P.E.*
2. *Test report # VLS-005-02-01 on 1000 hours in salt spray per ASTM B117, prepared by PRI Construction Materials Technologies. dated 02/22/2013, signed and sealed by Zachary R. Priest, P.E.*
3. *Test report # VLS-004-02-01 on 2000 hours Accelerated Weathering per ASTM G26, prepared by PRI Construction Materials Technologies. dated 02/22/2013, signed and sealed by Zachary R. Priest, P.E.*
4. *Water Spray Leakage Test per FM 4471, Appendix G, prepared by Force Engineering & Testing, Inc., Test Report # 90-0083T-15F, dated 11/11/15, signed and sealed by Terrence E. Wolfe, P.E.*
5. *Structural Performance Test report per TAS 125-03 per ASTM E 1592-01, prepared by Force Engineering & Testing, Inc., Test Report # 90-0083T-15A-D, dated 11/11/15, signed and sealed by Terrence E. Wolfe, P.E.*
6. *Wind and Wind Driven Rain Resistance Test report per TAS 100-95, prepared by Farabaugh Engineering and Testing, Inc., Test Report # T283-15, dated 10/26/15, signed and sealed by Daniel G. Farabaugh, P.E.*

C. CALCULATIONS:

1. *Calculations titled "Maximum allowable Design Pressures", dated 11/25/15, 10 pages, prepared, signed and sealed by Terrence E. Wolfe, P.E.*

D. QUALITY ASSURANCE

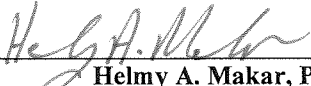
1. *By Miami-Dade County Department of Regulatory and Economic Resources.*

E. MATERIAL CERTIFICATIONS:

1. *Tensile Test per ASTM E-8-13a, Test Report # 90-0083T-15A-D, dated 11/11/15, prepared by Force Engineering & Testing, Inc., signed and sealed by Terrence E. Wolfe, P.E.*

F. STATEMENTS

1. *Florida Building Code, 2014 Edition, compliance letter prepared by Chander P. Nangia, dated 11/25/2015, signed & sealed by Chander P. Nangia, P.E.*

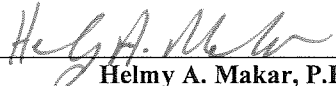


Helmy A. Makar, P.E., M.S.
Product Control Section Supervisor
NOA No. 20-1215.09
Expiration Date: 08/11/2021
Approval Date: 02/18/2021

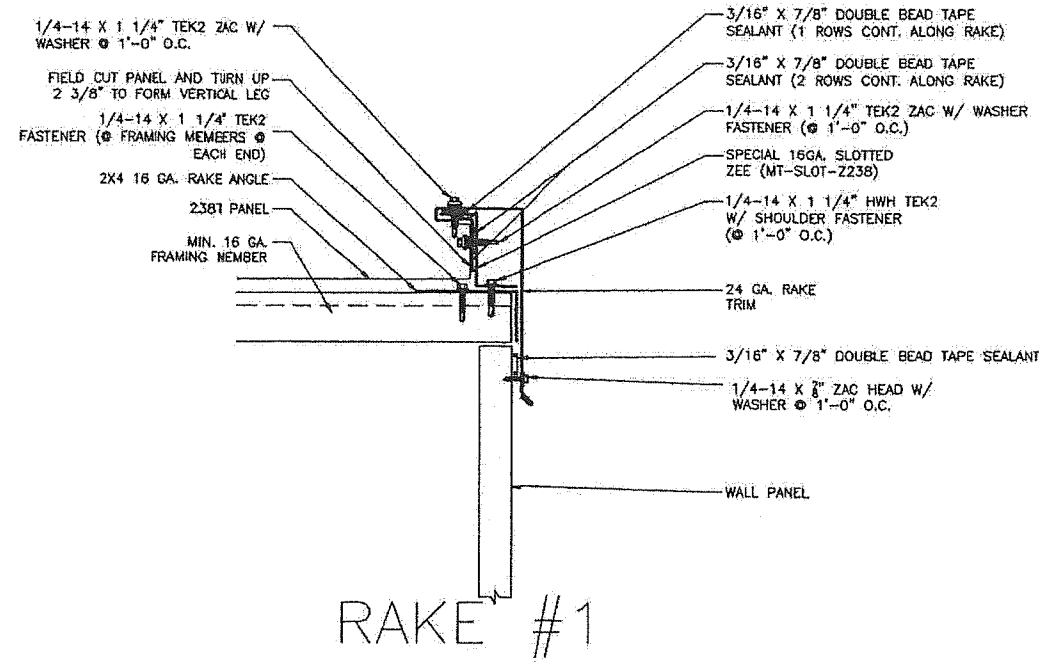
McElroy Metal, Inc.

NOTICE OF ACCEPTANCE: EVIDENCE SUBMITTED

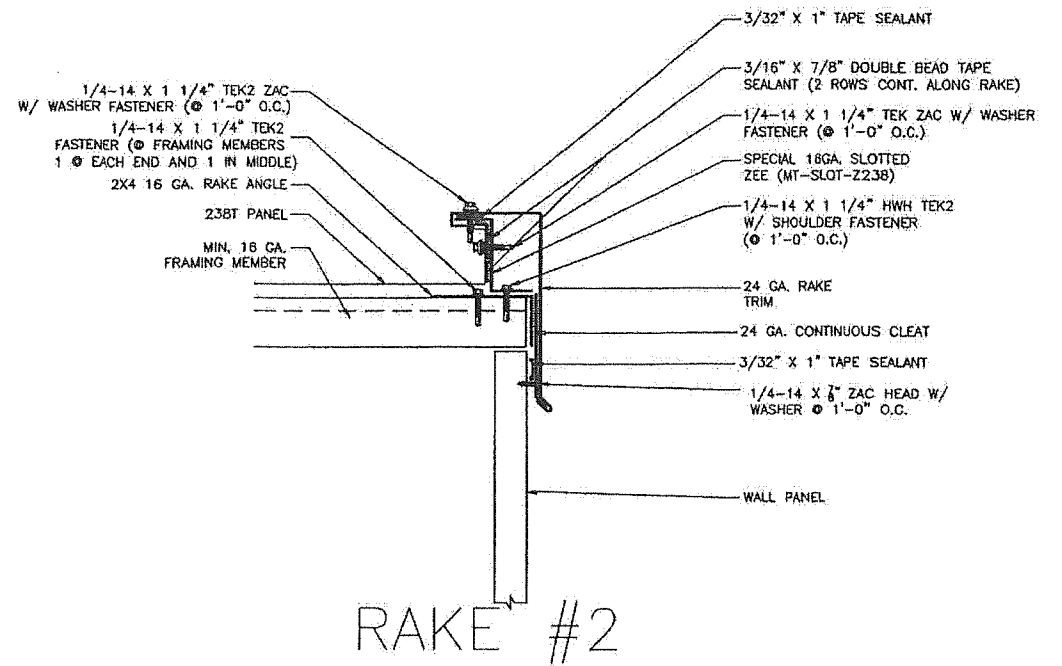
- 2. EVIDENCE SUBMITTED UNDER PREVIOUS APPROVAL #17-0829.06**
- A. DRAWINGS:**
1. *None.*
- B. TESTS**
1. *None.*
- C. CALCULATIONS:**
1. *None.*
- D. QUALITY ASSURANCE**
1. *By Miami-Dade County Department of Regulatory and Economic Resources.*
- E. MATERIAL CERTIFICATIONS:**
1. *None.*
- F. STATEMENTS**
1. *Florida Building Code, 2017 Edition, compliance letter prepared by Chander P. Nangia, dated 08/14/2017, signed & sealed by Chander P. Nangia, P.E.*
- 3. NEW EVIDENCE SUBMITTED**
- A. DRAWINGS:**
1. *Drawing titled " 238T 18" 24 GA. Panel ", sheets 1 through 5 of 5, prepared by McElroy Metal, Inc., dated November 20, 2015, signed and sealed by Johnathan Green, P.E., on January 27, 2021.*
- B. TESTS**
1. *None.*
- C. CALCULATIONS:**
1. *None.*
- D. QUALITY ASSURANCE**
1. *By Miami-Dade County Department of Regulatory and Economic Resources.*
- E. MATERIAL CERTIFICATIONS:**
1. *None.*
- F. STATEMENTS**
1. *Florida Building Code, 2020 Edition, compliance letter prepared by Force Engineering & Testing, dated 01/27/2021, signed & sealed by Johnathan Green, P.E.*



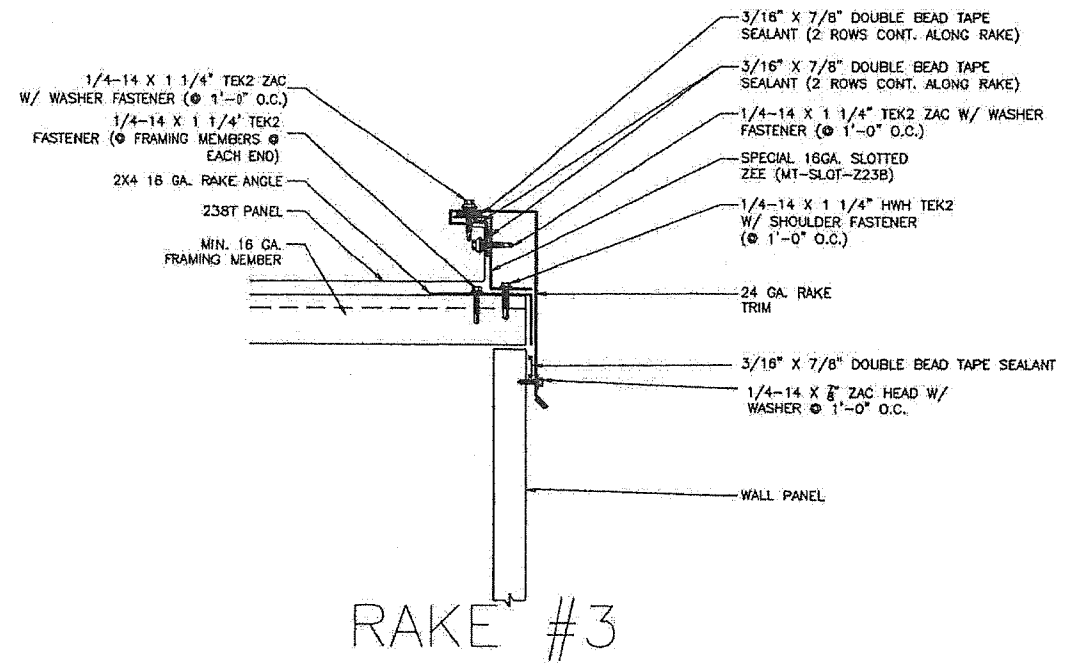
Helmy A. Makar, P.E., M.S.
Product Control Section Supervisor
NOA No. 20-1215.09
Expiration Date: 08/11/2021
Approval Date: 02/18/2021



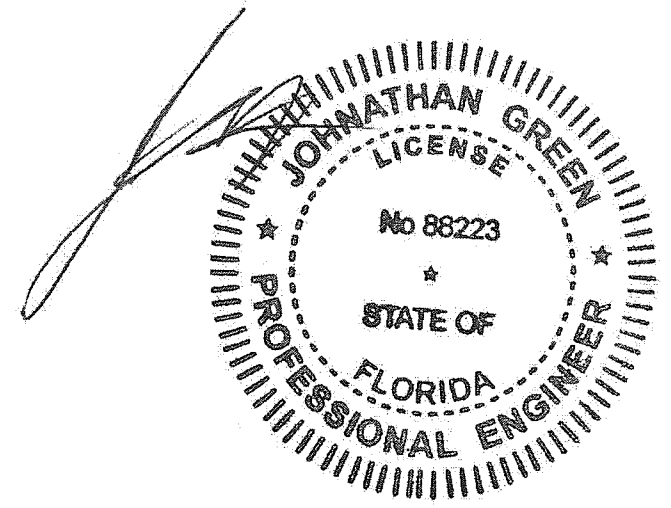
RAKE #1



RAKE #2



RAKE #3



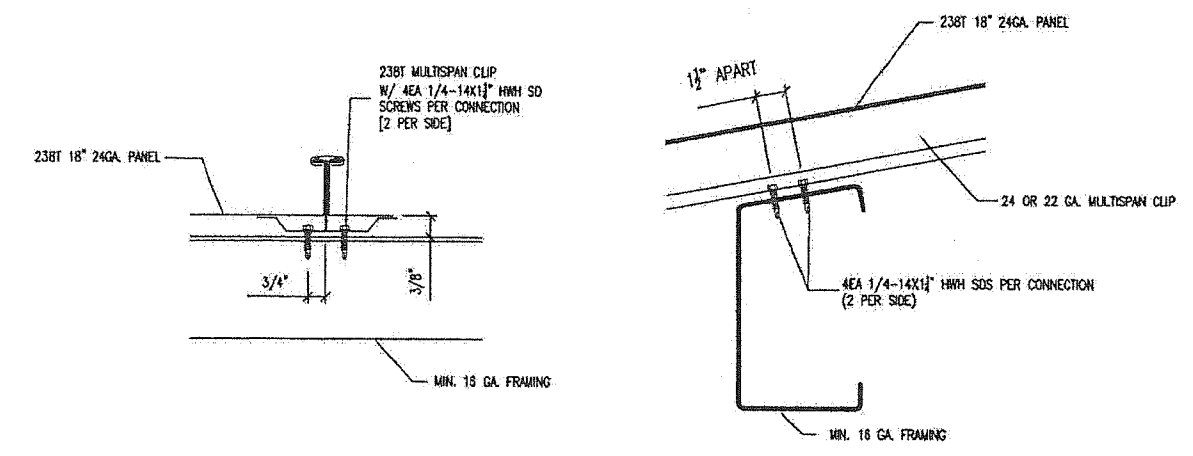
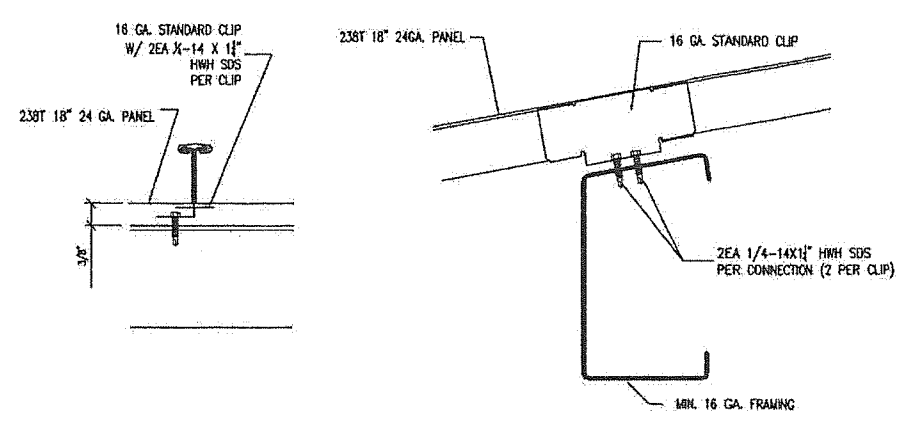
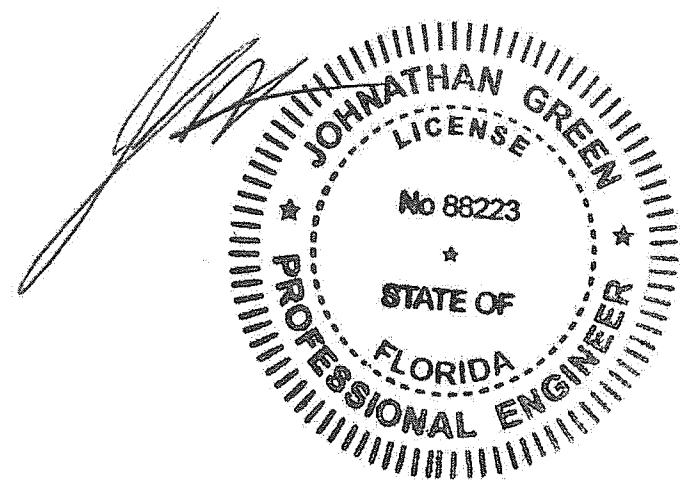
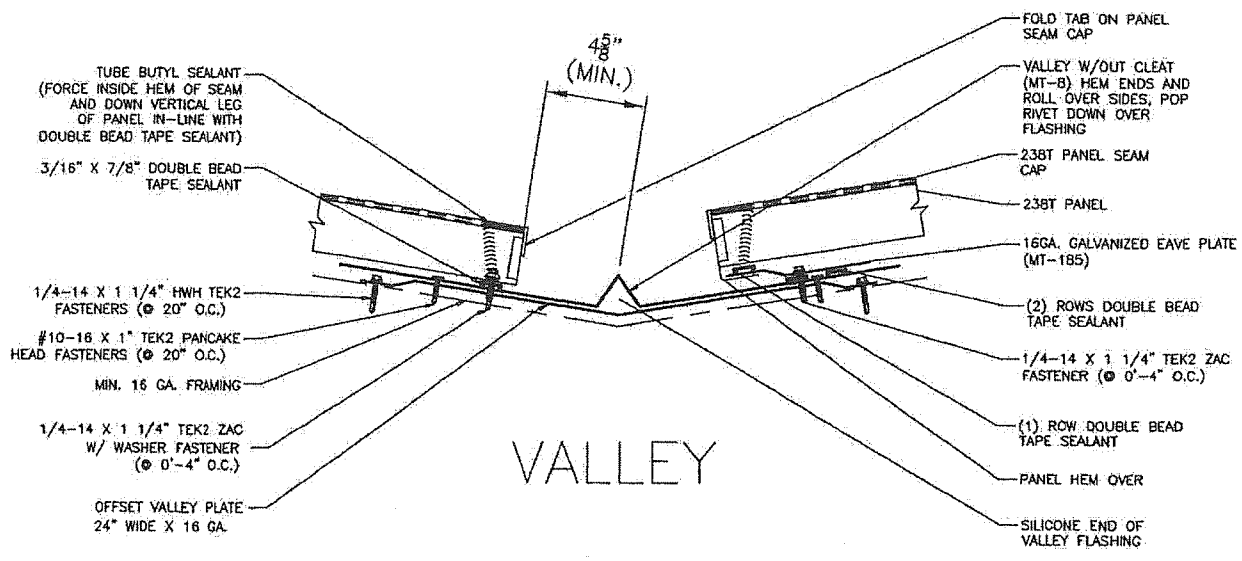
PRODUCT REVISED
as complying with the Florida
Building Code
Acceptance No 20-1215.09
Expiration Date 08/11/2021
By *Heidi A. Miller*
Miami Dept Product Control

REV	DATE	DESCRIPTION

McELROY METAL, INC
ENGINEERING SERVICES DEPT.
1600 HAMILTON ROAD - BOSSIER CITY, LA. (504) 747-8000

DADE COUNTY TESTING
238T 18" 24 GA. PANEL
McELROY METAL, INC.

SCALE: N.T.S.
DATE: 1/27/2021
DWN. BY: BJ
CHKD BY:
LOG NO: B
2 of 5



STANDARD CLIP ATTACHMENT

MULTISPAN CLIP ATTACHMENT

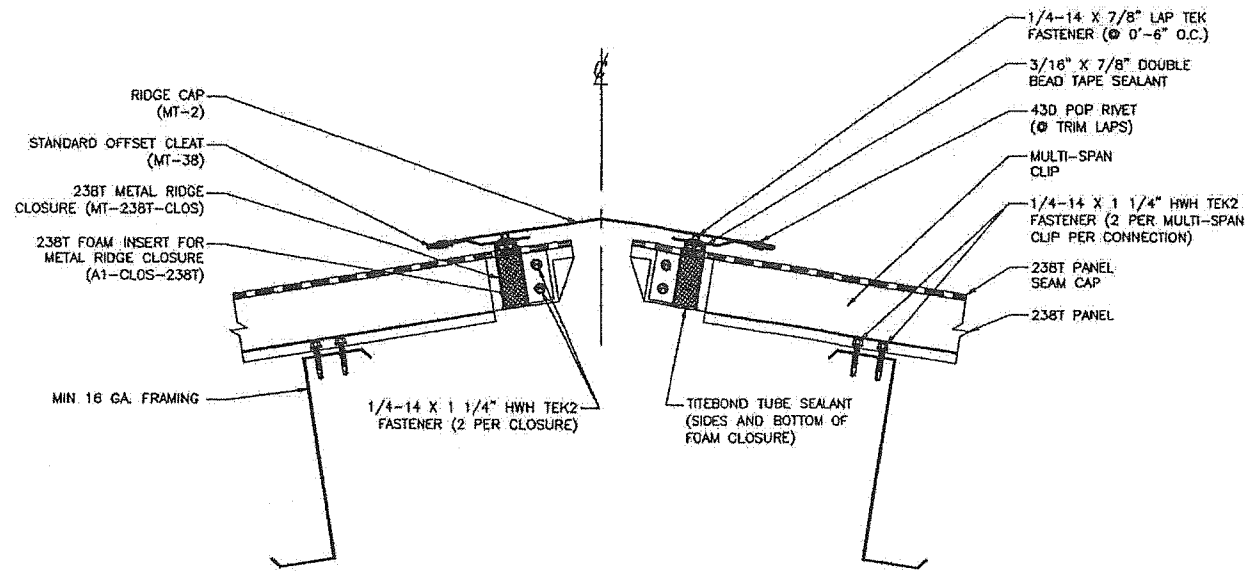
PRODUCT REVISED
 as complying with the Florida
 Building Code
 Acceptance No. 20-1215.09
 Expiration Date 08/11/2021
 By: *[Signature]*
 Miami District Product Control

DATE	REVISION	DESCRIPTION

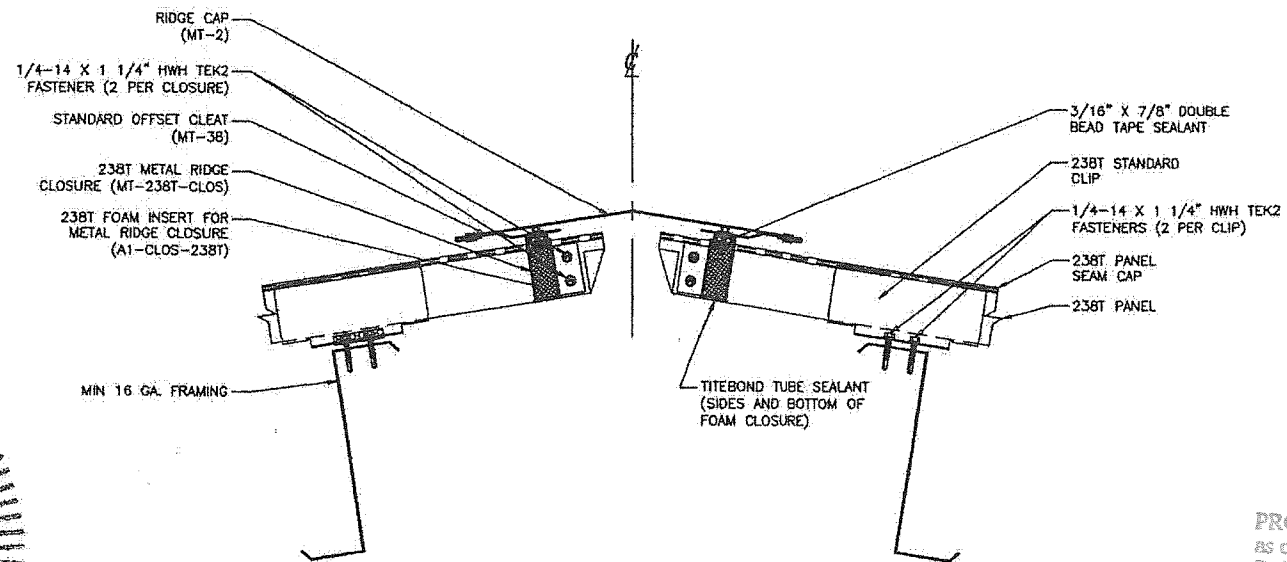
McELROY METAL, INC
ENGINEERING SERVICES DEPT.
 1900 HAMILTON ROAD - BOSSIER CITY, LA (919) 747-8000

DADE COUNTY TESTING
 238T 18" 24 GA. PANEL
 McELROY METAL, INC.

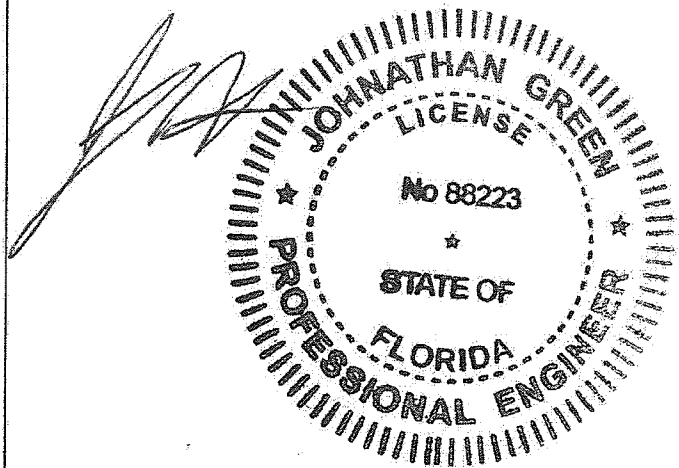
SCALE: N.T.S.
 DATE: 1/27/2021
 DWN. BY: BJ
 CHK'D BY:
 LOG NO: B
 3 OF 5



RIDGE



RIDGE



PRODUCT REVISED
 as complying with the Florida
 Building Code
 Acceptance No 20-1215.09
 Expiration Date 08/11/2021
 By Hugh A. Blair
 Miami Dade Product Control

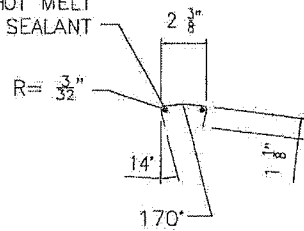
NO.	DATE	DESCRIPTION

McELROY METAL, INC
 ENGINEERING SERVICES DEPT.
 1800 HAMILTON ROAD - BOSSIER CITY, LA. (519) 747-9000

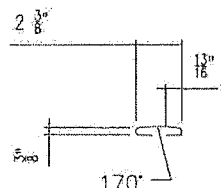
DADE COUNTY TESTING
 238T 18" 24 GA. PANEL
 McELROY METAL, INC.

SCALE: N.T.S.
DATE: 1/27/2021
DWN. BY: BJ
CHKD BY:
LOG NO: B
4 OF 5

FACTORY APPLIED HOT MELT ADHESIVE SEALANT

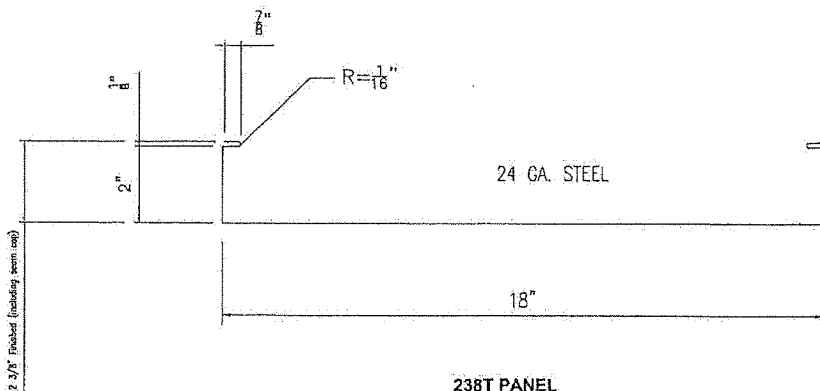


BEFORE SEAMING

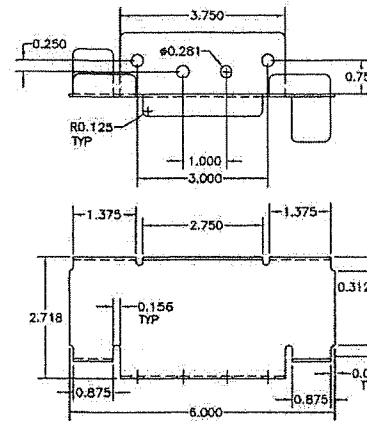


AFTER SEAMING

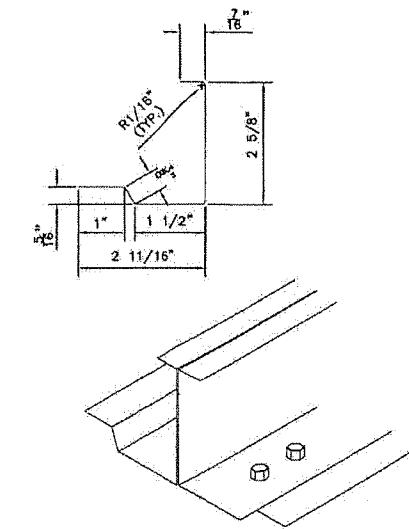
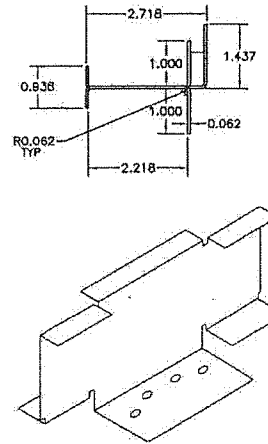
PANEL SEAM CAP
(24 GA. STEEL)



238T PANEL
ATTACHED TO 16 GA. (MIN.) STEEL FRAMING



6" LONG STANDARD 16 GA. CLIP
(2) FASTENER REQUIRED PER CONNECTION MIN.



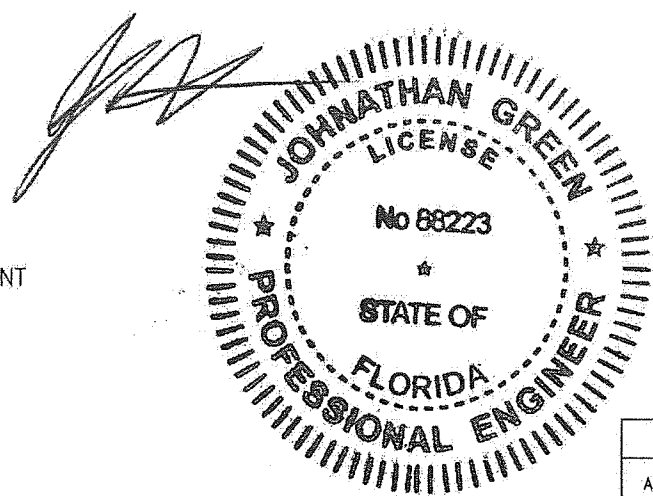
MULTISPAN CLIP
24 GA. (0.0239" THICK, Fy=54.9 ksi) OR
22 GA. (0.0299" THICK, Fy=50.0 ksi)
2-PIECE
(4) FASTENER REQUIRED PER CONNECTION (2 PER SIDE)

PRODUCT REVISED
as complying with the Florida
Building Code
Acceptance No 20-1215.09
Expiration Date 08/11/2021
By *Heidi A. Nelson*
Mission Data Product Control

- NOTES:
- THE MAXIMUM UPLIFT PRESSURE SHALL BE CALCULATED USING THE FOLLOWING ALLOWABLES:
 - MAXIMUM ALLOWABLE BENDING MOMENT OF THE PANEL AT SUPPORTS = 97.46 FT-LBS.
 - MAXIMUM ALLOWABLE BENDING MOMENT OF THE PANEL BETWEEN SUPPORTS = 70.25 FT-LBS.
 - EI VALUE OF PANEL = 1,022,112 LB-IN²
 - MAXIMUM ALLOWABLE DEFLECTION OF ROOF PANEL = 1/240
 - MAXIMUM PANEL INTERIOR SUPPORT REACTION = 208.0 LBS.
 - MAXIMUM PANEL EXTERIOR SUPPORT REACTION = 71.5 LBS.
 - MAXIMUM ALLOWABLE PANEL SPAN = 5'-0"
 - MAXIMUM ALLOWABLE SPANS AND PRESSURES:

SPAN	PANEL CLIP	UPLIFT PRESSURE
5'-0"	16 GA. STANDARD	36.4 PSF
4'-0"	16 GA. STANDARD	45.0 PSF
3'-0"	16 GA. STANDARD	53.6 PSF
2'-0"	16 GA. STANDARD	62.1 PSF
1'-0"	16 GA. STANDARD	70.7 PSF
5'-0"	24 GA. MULTISPAN	109.3 PSF
5'-0"	22 GA. MULTISPAN	140.0 PSF

- 1/4-14 x 1 1/4" HWH SD TEK 2
- 1/4-14 x 1 1/4" ZAC HEAD W/ WASHER #2 PT.
- 1/4-14 x 7/8" ZAC HEAD W/ WASHER #1 PT.
- 1/4-14 x 1 1/4" HWH SD W/ SHOULDER TEK 2
- 1" x 3/32" BUTYL TAPE
- 7/8" x 3/16" BUTYL TAPE
- TUBE BUTYL SEALANT
- #10-16 x 1" PANCAKE TEK 2



238T PANEL PROPERTIES					
ASTM	PANEL GAGE	PAINTED PANEL THICKNESS	YIELD STRENGTH	STEEL COATING	PAINT COATING
A792	24	0.023" (MIN.)	65 KSI (MIN.)	AZ 55 (BARE) AZ 50 (PAINTED)	FLUOROPON

NO.	DATE	DESCRIPTION

McELROY METAL, INC
ENGINEERING SERVICES DEPT.
1500 HAMILTON ROAD - BOSSIER CITY, LA. (504) 747-8000

DADE COUNTY TESTING
238T 18" 24 GA. PANEL
McELROY METAL, INC.

SCALE: N.T.S.
DATE: 1/27/2021
DWN. BY: BJ
CHK'D BY:
LOG NO: B
5 OF 5