



DEPARTMENT OF REGULATORY AND ECONOMIC RESOURCES (RER)
BOARD AND CODE ADMINISTRATION DIVISION

MIAMI-DADE COUNTY
PRODUCT CONTROL SECTION
11805 SW 26 Street, Room 208
Miami, Florida 33175-2474
T (786) 315-2590 F (786) 315-2599

www.miamidade.gov/economy

NOTICE OF ACCEPTANCE (NOA)

McElroy Metal, Inc.
1500 Hamilton Road
Bossier City, LA 71111

SCOPE:

This NOA is being issued under the applicable rules and regulations governing the use of construction materials. The documentation submitted has been reviewed and accepted by Miami-Dade County RER- Product Control Section to be used in Miami Dade County and other areas where allowed by the Authority Having Jurisdiction (AHJ).

This NOA shall not be valid after the expiration date stated below. The Miami-Dade County Product Control Section (In Miami Dade County) and/or the AHJ (in areas other than Miami Dade County) reserve the right to have this product or material tested for quality assurance purposes. If this product or material fails to perform in the accepted manner, the manufacturer will incur the expense of such testing and the AHJ may immediately revoke, modify, or suspend the use of such product or material within their jurisdiction. RER reserves the right to revoke this acceptance if it is determined by Miami-Dade County Product Control Section that this product or material fails to meet the requirements of the applicable building code.

This product is approved as described herein and has been designed to comply with the High Velocity Hurricane Zone of the Florida Building Code.

DESCRIPTION: "PBR Panel Wall" .023"(min) Steel Wall Panel

APPROVAL DOCUMENT: Drawing No. E, titled " PBR – Panel Waterhead Test ", sheets 1 through 5 of 5, prepared by McElroy Metal, Inc. Engineering Services Dept., signed and sealed by Johnathan Green, P.E. on November 10, 2020, bearing the Miami-Dade County Product Control Revision stamp with the Notice of Acceptance number and the expiration date by the Miami-Dade County Product Control Section.

MISSILE IMPACT RATING: Large and Small Missile Impact Resistant

LABELING: Each panel shall bear a permanent label with the manufacturer's name or logo:

1500 Hamilton Road 9700 Interstate 20 253 One Georgia Dr. 460 Clay Road 10490 State Hwy 10
Bossier City, LA 71111 Merkel, TX 79536 Ashburn, GA 31714 Sunnyvale, TX 75182 Clinton, ILL 61727
and the following statement: "Miami-Dade County Product Control Approved", unless otherwise noted herein.

RENEWAL of this NOA shall be considered after a renewal application has been filed and there has been no change in the applicable building code negatively affecting the performance of this product.

TERMINATION of this NOA will occur after the expiration date or if there has been a revision or change in the materials, use, and/or manufacture of the product or process. Misuse of this NOA as an endorsement of any product, for sales, advertising or any other purposes shall automatically terminate this NOA. Failure to comply with any section of this NOA shall be cause for termination and removal of NOA.

ADVERTISEMENT: The NOA number preceded by the words Miami-Dade County, Florida, and followed by the expiration date may be displayed in advertising literature. If any portion of the NOA is displayed, then it shall be done in its entirety.

INSPECTION: A copy of this entire NOA shall be provided to the user by the manufacturer or its distributors and shall be available for inspection at the job site at the request of the Building Official.

This NOA **revises and renews** NOA #20-1215.12 and consists of this page 1, evidence submitted pages E-1, E-2, E-3 & E-4 and approval document mentioned above.

The submitted documentation was reviewed by **Helmy A. Makar, P.E., M.S.**



Helmy A. Makar
03/21/24

NOA No. 23-1117.02
Expiration Date: 03/18/2029
Approval Date: 03/21/2024

McElroy Metal, Inc.

NOTICE OF ACCEPTANCE: EVIDENCE SUBMITTED

1. EVIDENCE SUBMITTED UNDER PREVIOUS APPROVAL # 08-1007.07

A. DRAWINGS

1. *Drawing No. E, titled "PBR – Panel Waterhead Test", sheets 1 through 5 of 5, prepared by McElroy Metal, Inc. Engineering Services Dept., signed and sealed by Terrence E. Wolfe, P.E. on February 12, 2009.*

B. TESTS

1. *Test reports on:*
 - 1) Air Infiltration Test, per FBC, TAS 202-94
 - 2) Uniform Static Air Pressure Test, Loading per FBC, TAS 202-94
 - 3) Water Resistance Test, per FBC, TAS 202-94
 - 4) Large Missile Impact Test, per FBC, TAS 201-94
 - 5) Cyclic Wind Pressure Loading, per FBC, TAS 203-94along with drawings and installation diagram of PBR Panel assembly, prepared by Farabaugh Engineering and Testing, Test Report No. T295-07, dated 09/30/07, (revised 4/23/08) signed and sealed by Daniel G. Farabaugh, P.E.

C. CALCULATIONS

1. *Calculations titled "R Panel, 24 Ga.", 2 pages, prepared by Terrence E. Wolfe, P.E., signed and sealed by Terrence E. Wolfe, P.E. on December 6, 2008.*

D. QUALITY ASSURANCE

1. *By Miami-Dade County Building Code Compliance Office.*

E. MATERIAL CERTIFICATIONS

1. *Tensile Test, prepared by West Penn Material Evaluation, dated September 12, 2007.*

2. EVIDENCE SUBMITTED UNDER PREVIOUS APPROVAL # 09-0504.08

A. DRAWINGS

1. *None.*

B. TESTS

1. *None.*

C. CALCULATIONS


1. *None.*

D. QUALITY ASSURANCE

1. *By Miami-Dade County Building Code Compliance Office.*

E. MATERIAL CERTIFICATIONS

1. *None.*

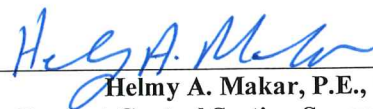


Helmy A. Makar, P.E., M.S.
Product Control Section Supervisor
NOA No. 23-1117.02
Expiration Date: 03/18/2029
Approval Date: 03/21/2024

McElroy Metal, Inc.

NOTICE OF ACCEPTANCE: EVIDENCE SUBMITTED

- 3. EVIDENCE SUBMITTED UNDER PREVIOUS APPROVAL # 14-0102.07**
- A. DRAWINGS**
1. *None.*
- B. TESTS**
1. *None.*
- C. CALCULATIONS**
1. *None.*
- D. QUALITY ASSURANCE**
1. *By Miami-Dade County Department of Regulatory and Economic Resources.*
- E. MATERIAL CERTIFICATIONS**
1. *None.*
- F. STATEMENTS**
1. *FBC, 2010 Edition compliance letter issued by Force Engineering & Testing, Inc., dated November 22, 2013, signed and sealed by Terrence E. Wolfe, P.E.*
- 4. EVIDENCE SUBMITTED UNDER PREVIOUS APPROVAL # 15-1013.09**
- A. DRAWINGS**
1. *None.*
- B. TESTS**
1. *None.*
- C. CALCULATIONS**
1. *None.*
- D. QUALITY ASSURANCE**
1. *By Miami-Dade County Department of Regulatory and Economic Resources.*
- E. MATERIAL CERTIFICATIONS**
1. *None.*
- F. STATEMENTS**
1. *FBC, 2014 Edition compliance letter issued by Force Engineering & Testing, Inc., dated 09/08/15, signed and sealed by Terrence E. Wolfe, P.E.*



Helmy A. Makar, P.E., M.S.
Product Control Section Supervisor
NOA No. 23-1117.02
Expiration Date: 03/18/2029
Approval Date: 03/21/2024

McElroy Metal, Inc.

NOTICE OF ACCEPTANCE: EVIDENCE SUBMITTED

5. EVIDENCE SUBMITTED UNDER PREVIOUS APPROVAL # 17-0829.05

A. DRAWINGS

1. *None.*

B. TESTS

1. *None.*

C. CALCULATIONS

1. *None.*

D. QUALITY ASSURANCE

1. *By Miami-Dade County Department of Regulatory and Economic Resources.*

E. MATERIAL CERTIFICATIONS

1. *None.*

F. STATEMENTS

1. *FBC, 2017 Edition compliance letter issued by Force Engineering & Testing, Inc., dated 08/14/17, signed and sealed by Terrence E. Wolfe, P.E.*

6. EVIDENCE SUBMITTED UNDER PREVIOUS APPROVAL # 18-1015.08

A. DRAWINGS

1. *None.*

B. TESTS

1. *Test reports per ASTM E8, prepared by Intertek Architectural Testing, Test Report No. G9475.02-106-18, dated 05/10/17, signed and sealed by Joseph A. Reed, P.E.*
2. *Test reports per B 117-11, prepared by PRI, Test Report No. VLS-005-02-01, dated 02/20/13, signed and sealed by Zachary R. Priest, P.E.*
3. *Test reports per G 155, prepared by PRI, Test Report No. VLS-004-02-01, dated 02/20/13, signed and sealed by Zachary R. Priest, P.E.*

C. CALCULATIONS

1. *None.*

D. QUALITY ASSURANCE

1. *By Miami-Dade County Department of Regulatory and Economic Resources.*

E. MATERIAL CERTIFICATIONS

1. *None.*

F. STATEMENTS

1. *FBC, 2017 Edition compliance letter issued by Force Engineering & Testing, Inc. dated 10/03/18, signed & sealed by T. E. Wolfe, P.E.*



Helmy A. Makar, P.E., M.S.
Product Control Section Supervisor

NOA No. 23-1117.02

Expiration Date: 03/18/2029

Approval Date: 03/21/2024

McElroy Metal, Inc.

NOTICE OF ACCEPTANCE: EVIDENCE SUBMITTED

7. EVIDENCE SUBMITTED UNDER PREVIOUS APPROVAL # 20-1215.12

A. DRAWINGS

1. *Drawing No. E, titled "PBR – Panel Waterhead Test", sheets 1 through 5 of 5, prepared by McElroy Metal, Inc. Engineering Services Dept., signed and sealed by Johnathan Green, P.E. on November 10, 2020.*

B. TESTS

1. *None.*

C. CALCULATIONS

1. *None.*

D. QUALITY ASSURANCE

1. *By Miami-Dade County Department of Regulatory and Economic Resources.*

E. MATERIAL CERTIFICATIONS

1. *None.*

F. STATEMENTS

1. *FBC, 2020 Edition compliance letter issued by Force Engineering & Testing, Inc. dated 11/12/2020, signed & sealed by Johnathan Green, P.E.*

8. NEW EVIDENCE SUBMITTED

A. DRAWINGS

1. *None.*

B. TESTS

1. *None.*

C. CALCULATIONS

1. *None.*

D. QUALITY ASSURANCE

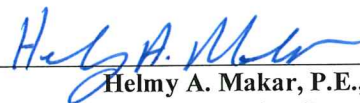
1. *By Miami-Dade County Department of Regulatory and Economic Resources.*

E. MATERIAL CERTIFICATIONS

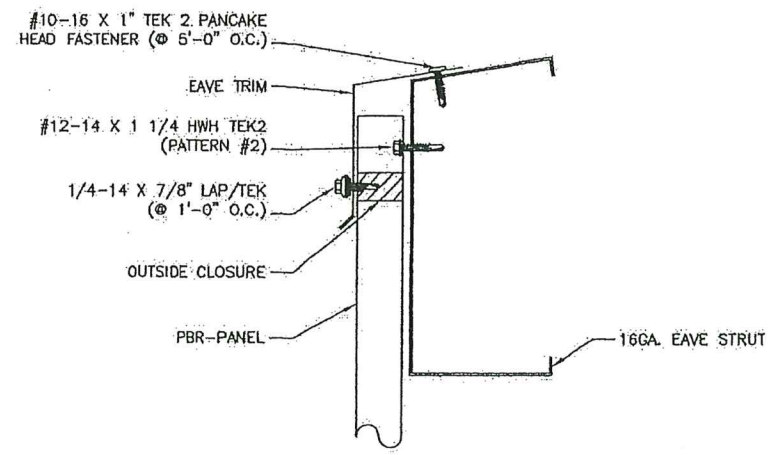
1. *None.*

F. STATEMENTS

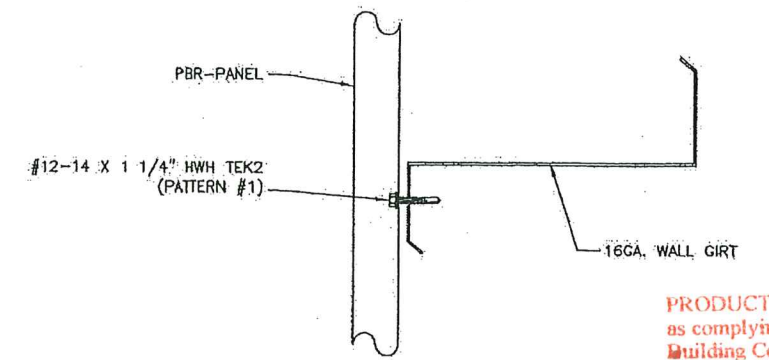
1. *FBC, 2023 Edition compliance letter issued by Force Engineering & Testing, Inc. dated 11/03/2023, signed & sealed by Johnathan Green, P.E., on 11/06/23.*



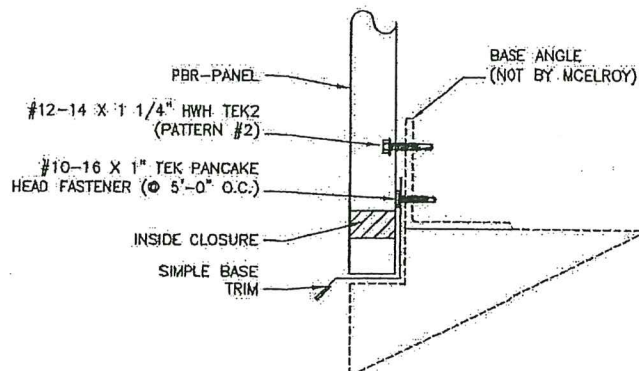
Helmy A. Makar, P.E., M.S.
Product Control Section Supervisor
NOA No. 23-1117.02
Expiration Date: 03/18/2029
Approval Date: 03/21/2024



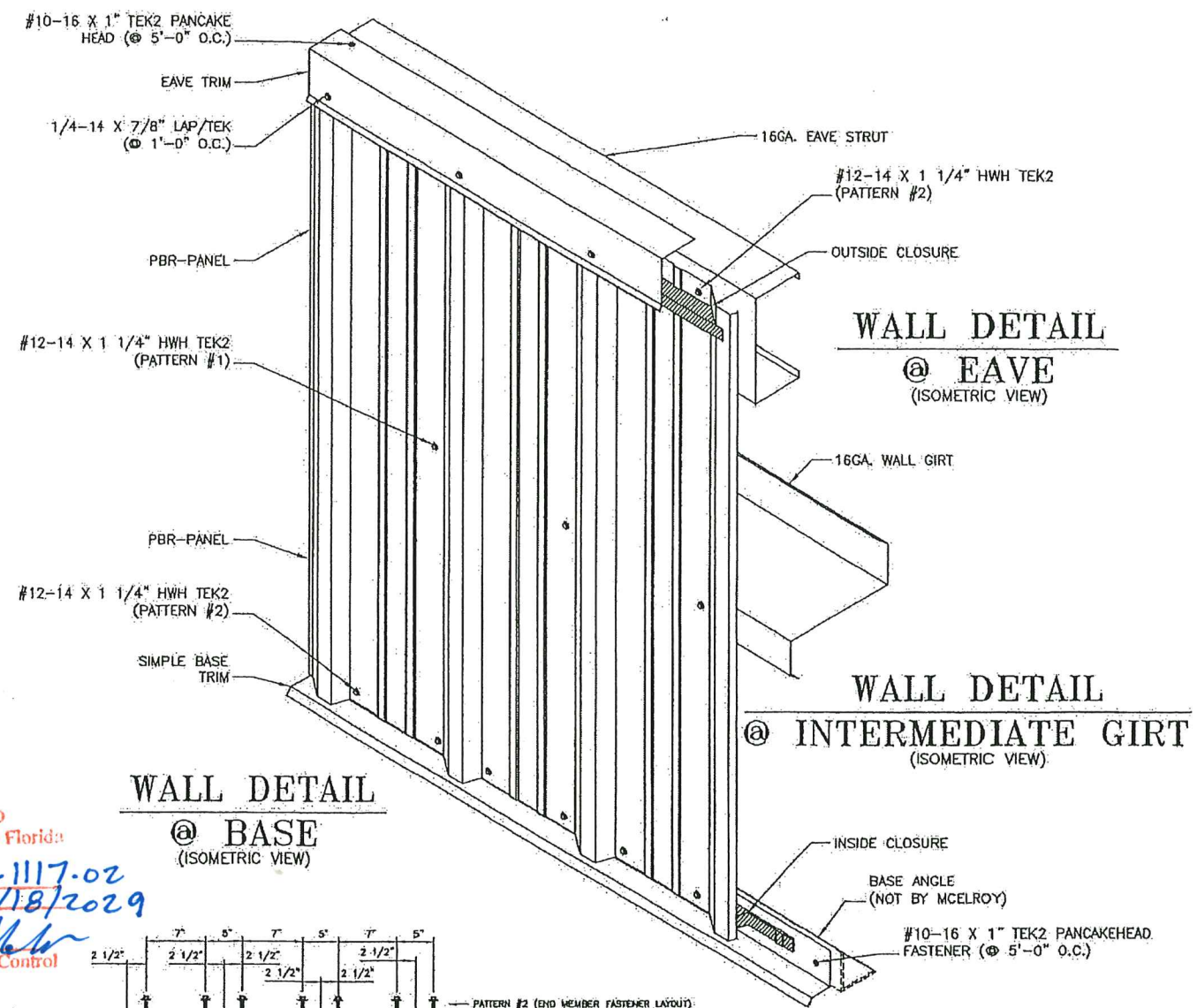
WALL DETAIL @ EAVE
(ISOMETRIC VIEW)



WALL DETAIL @ INTERMEDIATE GIRTS
(ISOMETRIC VIEW)



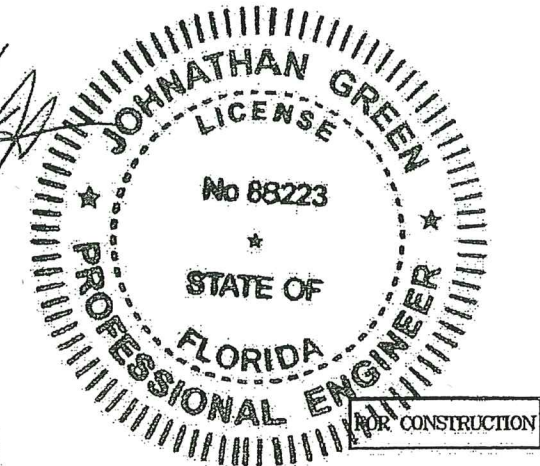
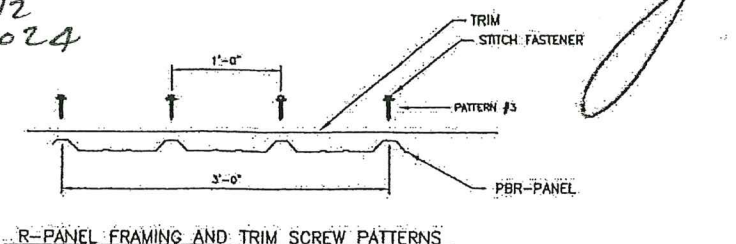
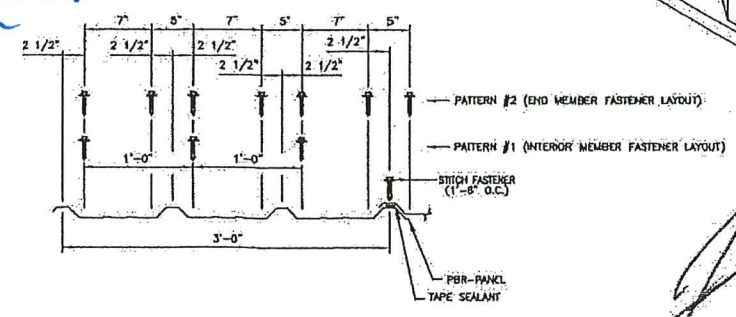
WALL DETAIL @ BASE
(ISOMETRIC VIEW)



WALL DETAIL @ BASE
(ISOMETRIC VIEW)

PRODUCT REVISED as complying with the Florida Building Code
 Acceptance No. 23-1117-02
 Expiration Date 03/18/2029
 By *Heidi A. Miller*
 Miami Dade Product Control

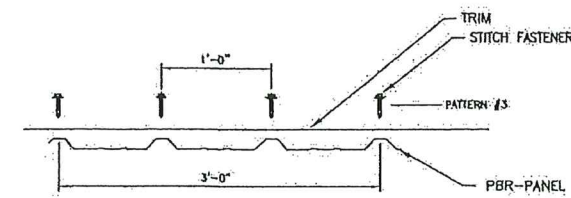
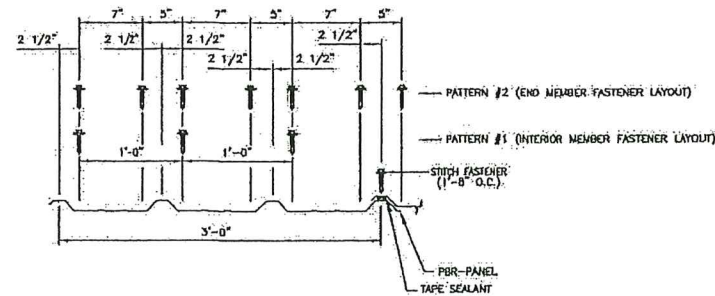
PRODUCT REVISED as complying with the Florida Building Code
 Acceptance No. 20-1215-12
 Expiration Date 03/18/2024
 By *Heidi A. Miller*
 Miami Dade Product Control



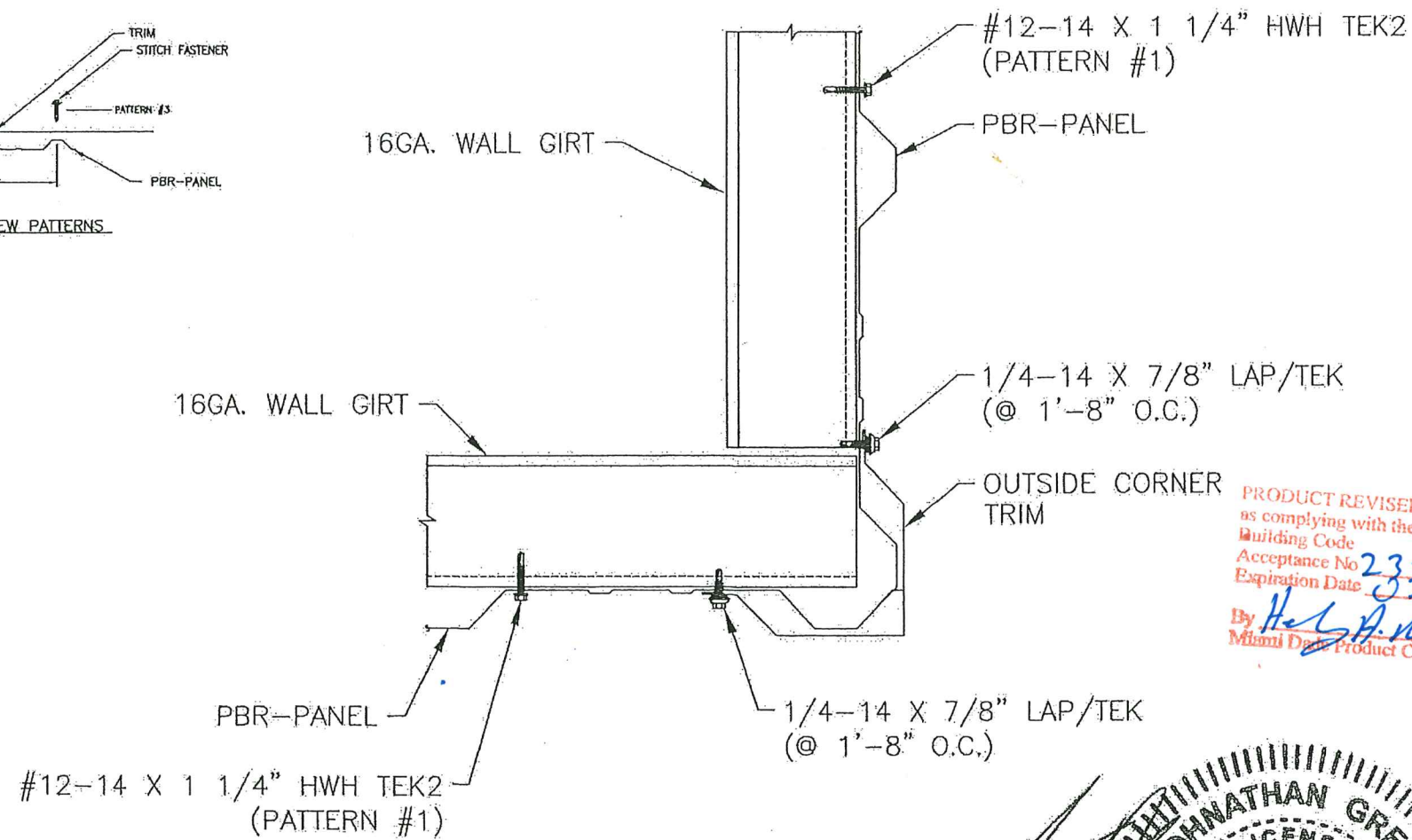
DATE: 1/27/2021
DWN. BY: J. PURDY
CHKD BY: E. OSTEL
LOG NO:
E1 of 5
B

McELROY METAL, INC.
 ENGINEERING SERVICES DEPT.
 1500 HAMILTON ROAD - BOSSIER CITY, LA. (504) 747-4000

DADE COUNTY TESTING
 PBR-PANEL WATERHEAD TEST
 MCELROY METAL, INC.



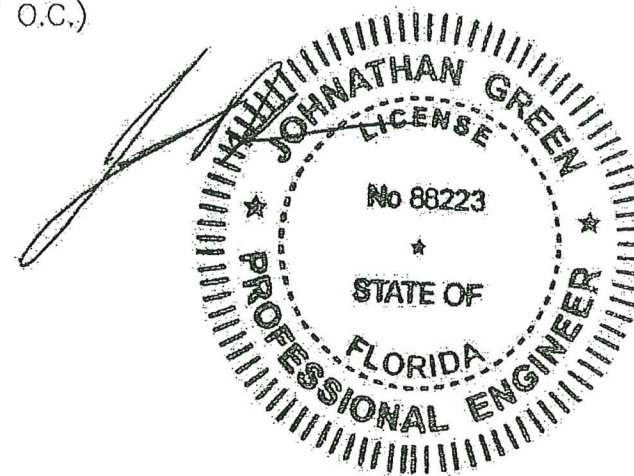
R-PANEL FRAMING AND TRIM SCREW PATTERNS



PRODUCT REVISED
 as complying with the Florida
 Building Code
 Acceptance No 23-1117.02
 Expiration Date 03/14/2029
 By *Hely A. Major*
 Miami Data Product Control

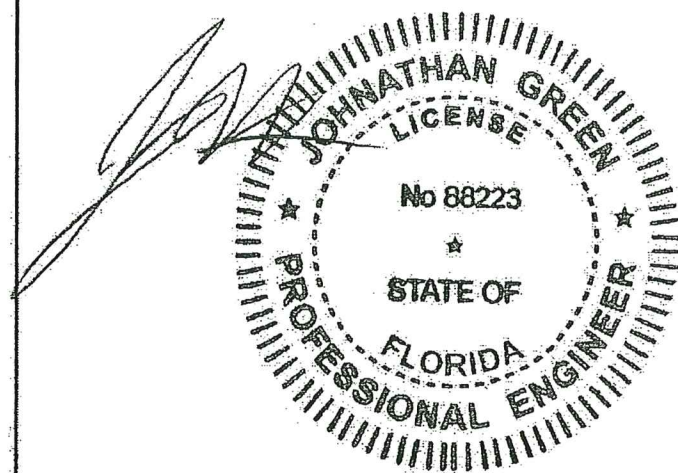
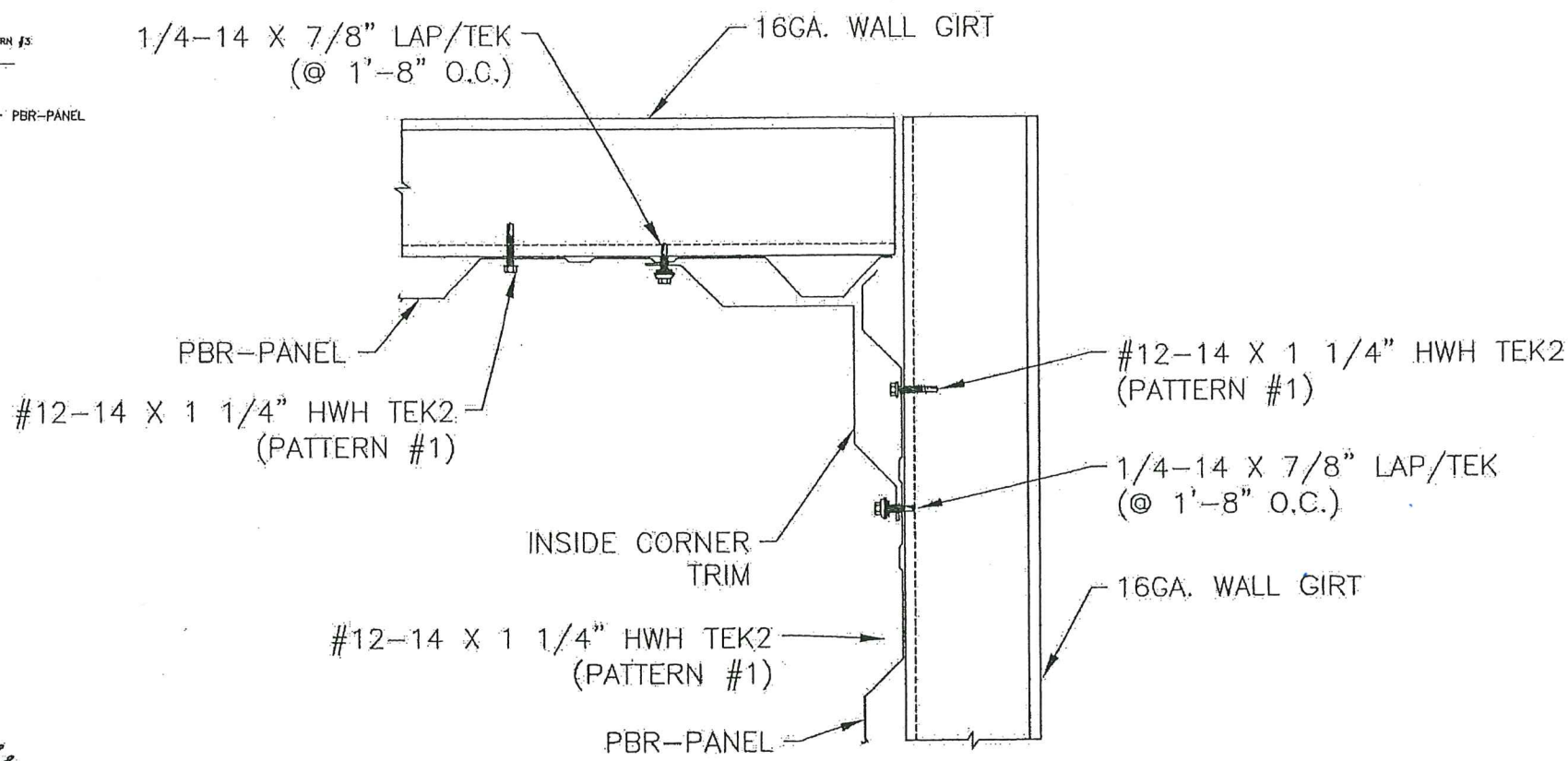
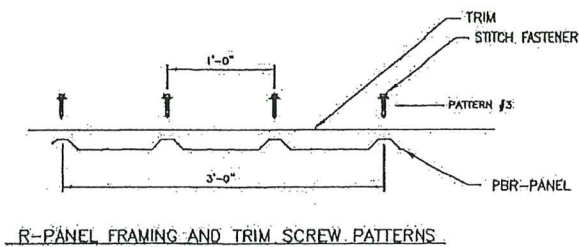
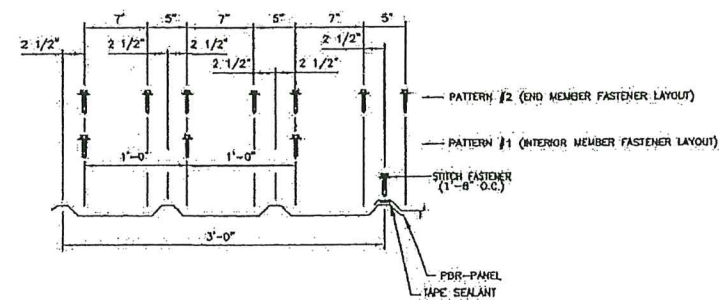
PRODUCT REVISED
 as complying with the Florida
 Building Code
 Acceptance No 20-1215.12
 Expiration Date 03/18/2024
 By *Hely A. Major*
 Miami Data Product Control

DETAIL
 @ OUTSIDE CORNER



FOR CONSTRUCTION

McELROY METAL, INC. ENGINEERING SERVICES DEPT. 1800 HAMILTON ROAD - BOSSIER CITY, LA. (504) 747-5000
DADE COUNTY TESTING PBR-PANEL WATERHEAD TEST McELROY METAL, INC.
SCALE: N.T.S.
DATE: 1/27/2021
OWN. BY: J. PURDY
CHKD BY: E. OSTER
LOG No:
E2 of 5
DATE: 01/27/2021
BY: B.



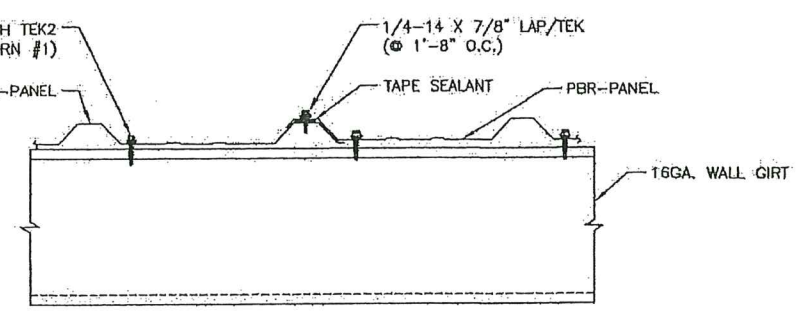
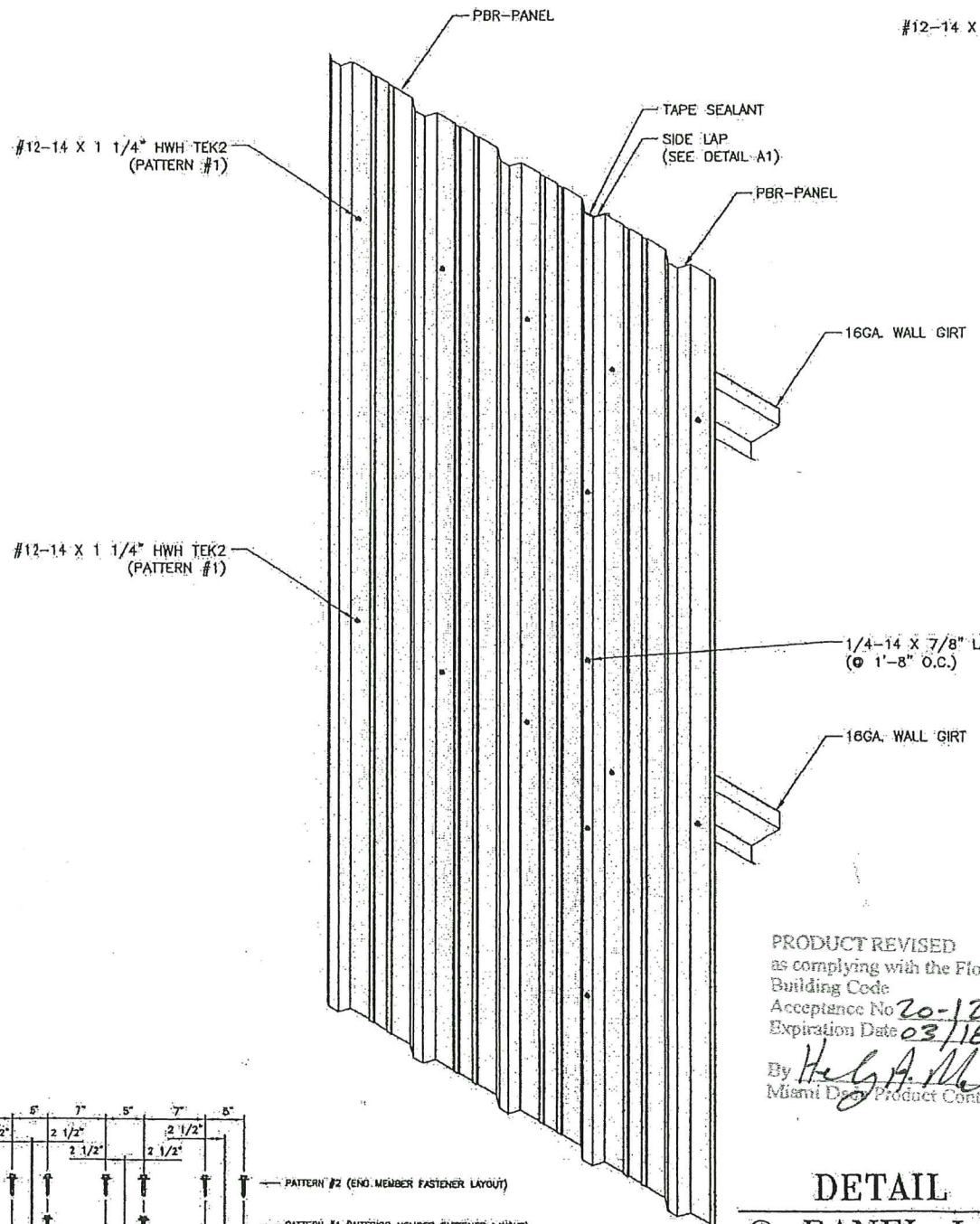
PRODUCT REVISED
 as complying with the Florida
 Building Code
 Acceptance No 20-1215.12
 Expiration Date 03/18/2024
 By *Hely A. Miller*
 Miami Dade Product Control

DETAIL
 @ INSIDE CORNER

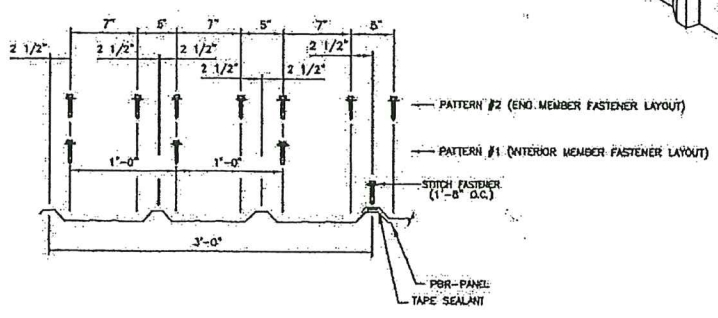
PRODUCT REVISED
 as complying with the Florida
 Building Code
 Acceptance No 23-1117.02
 Expiration Date 03/19/2029
 By *Hely A. Miller*
 Miami Dade Product Control

FOR CONSTRUCTION

McELROY METAL, INC. ENGINEERING SERVICES DEPT. 1600 HAMILTON ROAD - BOBBIER CITY, LA. (504) 747-8000
DADE COUNTY TESTING PBR-PANEL WATERHEAD TEST McELROY METAL, INC.
SCALE: N.T.S.
DATE: 1/27/2021
OWN. BY: J. PURDY
CHKD BY: E. OSTER
LOG NO:
E3 of 5
Rev. Check by: B.



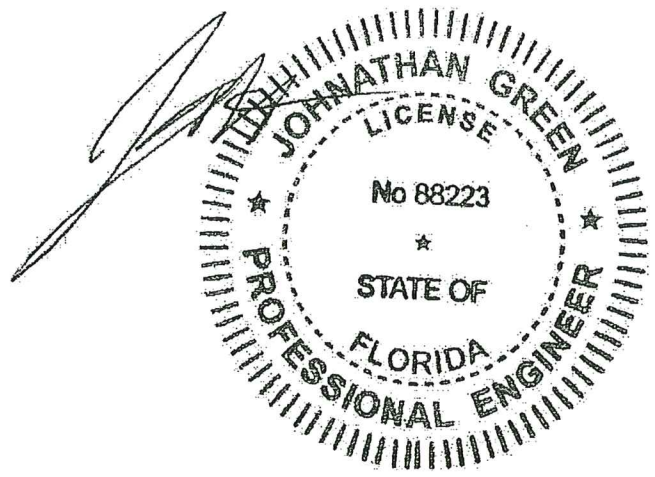
DETAIL A1



PRODUCT REVISED
 as complying with the Florida
 Building Code
 Acceptance No 20-1215.12
 Expiration Date 03/18/2024
 By Healy A. Miller
 Miami Dade Product Control

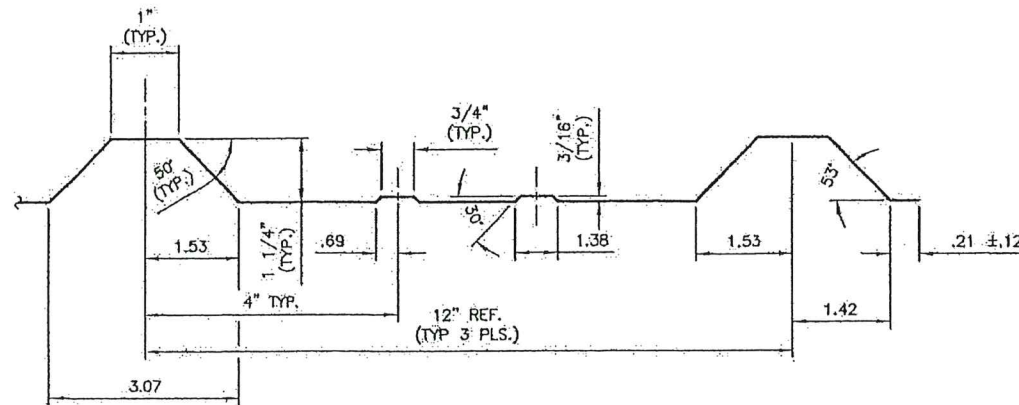
DETAIL
 @ PANEL LAP
 (ISOMETRIC)

PRODUCT REVISED
 as complying with the Florida
 Building Code
 Acceptance No 23-1117.02
 Expiration Date 03/18/2029
 By Healy A. Miller
 Miami Dade Product Control



FOR CONSTRUCTION

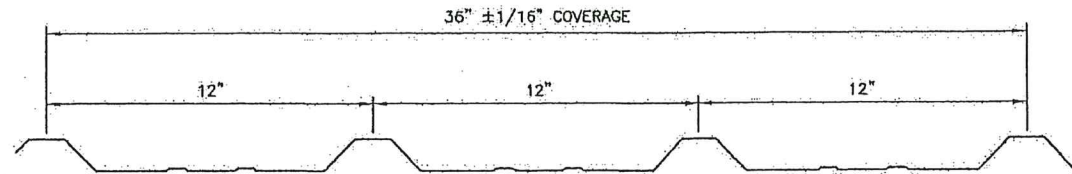
McELROY METAL, INC ENGINEERING SERVICES DEPT. 1500 HAMILTON ROAD - BOSSIER CITY, LA (504) 747-5000	
	
DADE COUNTY TESTING PBR-PANEL WATERHEAD TEST McELROY METAL, INC.	
SCALE: N.T.S.	DATE: 1/27/2021
OWN BY: J. PURDY	CHKD BY: E. OSTEF
LOG NO:	E4 OF 5
REV. NO. 01	REV. B



NOTES:

- THE MAXIMUM UPLIFT DESIGN PRESSURE SHALL BE CALCULATED USING THE FOLLOWING ALLOWABLES:
 - MAXIMUM ALLOWABLE BENDING MOMENT OF THE PANEL AT SUPPORTS = 158.25 FT. LB.
 - MAXIMUM ALLOWABLE BENDING MOMENT OF THE PANEL BETWEEN SUPPORTS = 87.89 FT. LB.
 - MAXIMUM ALLOWABLE DEFLECTION OF WALL PANEL = L/240
 - MAXIMUM SUPPORT REACTION = 93.75 LBS. EXT.
 - $EI = 1.2213 \times 10^6 \text{ LB-IN}^2$
 = 158.25 LBS. INT.
- THE MAXIMUM ALLOWABLE SPANS & PRESSURES ARE AS FOLLOWS:

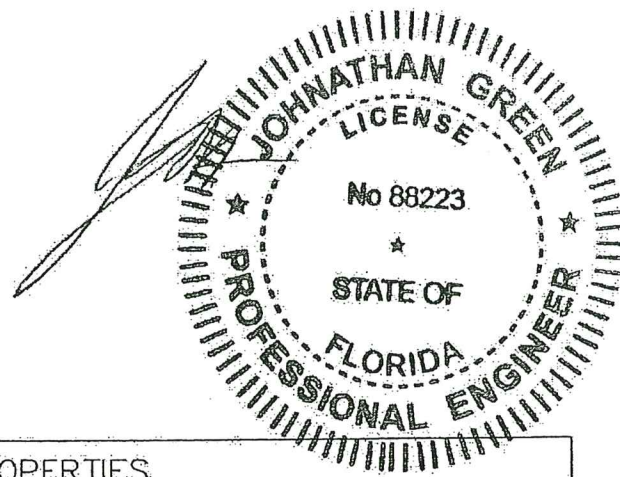
SPAN	PRESSURE
5'-0"	50.0 PSF



PRODUCT REVISED
 as complying with the Florida
 Building Code
 Acceptance No 23-1117.02
 Expiration Date 03/15/2029
 By Helga A. Miller
 Miami Dade Product Control

PBR-PANEL

PRODUCT REVISED
 as complying with the Florida
 Building Code
 Acceptance No 20-1215.12
 Expiration Date 03/18/2024
 By Helga A. Miller
 Miami Dade Product Control



PANEL ACCESSORIES

- 1/4-14 x 3/8\"/>
- 1/2-14 x 1 1/4\"/>
- SKALASTOMER 511 TUBE SEALANT
BY: SKA
- SKAFLEX 201 URETHANE TUBE SEALANT
BY: SKA
- 1/8\"/>

NOTE:
 ZAC IS A ZINC-ALUMINUM CAP
 WITH A 5/8\"/>

PANEL PROPERTIES

ASTM	PANEL GAUGE	PANEL THICKNESS	YIELD STRENGTH	TENSILE STRENGTH	STEEL COATING	PAINT COATINGS
A792	24	.023 (MIN.)	50 KSI (MIN.)	65 KSI (MIN.)	AZ 55 (BARE) AZ 50 (PAINTED)	KYNAR 500

FOR CONSTRUCTION

MCELROY METAL, INC
 ENGINEERING SERVICES DEPT.
 1800 HAMILTON ROAD, BOSSIER CITY, LA, 70110, 714-8900

DADE COUNTY TESTING
 PBR-PANEL WATERHEAD TEST
 MCELROY METAL, INC.

SCALE: N.T.S.
 DATE: 1/27/2021
 OWN. BY: J. FURDY
 CHKD BY: E. OSTER
 LOG NO:
 E5 of 5
 B.