

DEPARTMENT OF REGULATORY AND ECONOMIC RESOURCES (RER)
BOARD AND CODE ADMINISTRATION DIVISION

MIAMI-DADE COUNTY
PRODUCT CONTROL SECTION
11805 SW 26 Street, Room 208
Miami, Florida 33175-2474
T (786) 315-2590 F (786) 315-2599

www.miamidade.gov/economy

NOTICE OF ACCEPTANCE (NOA)

McElroy Metal, Inc.
1500 Hamilton Road
Bossier City, LA 71111

SCOPE:

This NOA is being issued under the applicable rules and regulations governing the use of construction materials. The documentation submitted has been reviewed and accepted by Miami-Dade County RER- Product Control Section to be used in Miami Dade County and other areas where allowed by the Authority Having Jurisdiction (AHJ).

This NOA shall not be valid after the expiration date stated below. The Miami-Dade County Product Control Section (In Miami Dade County) and/or the AHJ (in areas other than Miami Dade County) reserve the right to have this product or material tested for quality assurance purposes. If this product or material fails to perform in the accepted manner, the manufacturer will incur the expense of such testing and the AHJ may immediately revoke, modify, or suspend the use of such product or material within their jurisdiction. RER reserves the right to revoke this acceptance, if it is determined by Miami-Dade County Product Control Section that this product or material fails to meet the requirements of the applicable building code.

This product is approved as described herein, and has been designed to comply with the High Velocity Hurricane Zone of the Florida Building Code.

DESCRIPTION: "PBR-Panel " 0.023" (min.) Steel Structural Roof Panel

APPROVAL DOCUMENT: Drawing No. E, titled " PBR - Roof Panel ", sheets 1 through 5 of 5, prepared by McElroy Metal, Inc. Engineering Services Dept., signed and sealed by Johnathan Green, P.E. on January 27, 2021, bearing the Miami-Dade County Product Control Revision stamp with the Notice of Acceptance number and the expiration date by the Miami-Dade County Product Control Section.

MISSILE IMPACT RATING: Large and Small Missile Impact Resistant

LABELING: Each panel shall bear a permanent label with the manufacturer's name or logo:
1500 Hamilton Road 9700 Interstate 20 253 One Georgia Drive 460 Clay Road
Bossier City, LA 71111 Merkel, TX 79536 Ashburn, GA 31714 Sunnyvale, TX 75182
and the following statement: "Miami-Dade County Product Control Approved", unless otherwise noted herein.

RENEWAL of this NOA shall be considered after a renewal application has been filed and there has been no change in the applicable building code negatively affecting the performance of this product.

TERMINATION of this NOA will occur after the expiration date or if there has been a revision or change in the materials, use, and/or manufacture of the product or process. Misuse of this NOA as an endorsement of any product, for sales, advertising or any other purposes shall automatically terminate this NOA. Failure to comply with any section of this NOA shall be cause for termination and removal of NOA.

ADVERTISEMENT: The NOA number preceded by the words Miami-Dade County, Florida, and followed by the expiration date may be displayed in advertising literature. If any portion of the NOA is displayed, then it shall be done in its entirety.

INSPECTION: A copy of this entire NOA shall be provided to the user by the manufacturer or its distributors and shall be available for inspection at the job site at the request of the Building Official.

This NOA **revises and renews** NOA #20-1215.11 and consists of this page 1, evidence submitted pages E-1, E-2, E-3, E-4 & E-5 and approval document mentioned above.

The submitted documentation was reviewed by **Helmy A. Makar, P.E., M.S.**



Helmy A. Makar
01/04/2024

NOA No. 23-1113.06
Expiration Date: 12/04/2028
Approval Date: 01/04/2024

McElroy Metal, Inc.

NOTICE OF ACCEPTANCE: EVIDENCE SUBMITTED

1. EVIDENCE SUBMITTED UNDER PREVIOUS APPROVAL #08-1007.06

A. DRAWINGS

1. *Drawing No. E, titled " PBR - Roof Panel ", sheets 1 through 5 of 5, prepared by McElroy Metal, Inc. Engineering Services Dept., signed and sealed by Terrence E. Wolfe, P.E. on October 29, 2008.*

B. TESTS

1. *Test report on Large Missile Impact Test on PBR Roof Panel, prepared by Farabaugh Engineering and Testing, Inc., Report No. T296-07, dated April 22, 2008, signed and sealed by Daniel G. Farabaugh, P.E.*
2. *Test report per ASTM 1592 on PBR Roof Panel, Report No. T232-08, dated August 25, 2008, prepared by Farabaugh Engineering and Testing, Inc., signed and sealed by Daniel G. Farabaugh, P.E.*
3. *Test report on Accelerated Weathering Testing of Coating 2000 hours per ASTM G26-96, prepared by PRI Asphalt Technologies, Report No. VLS-001-02-02, dated January 19, 2004, signed and sealed by Charles L. Thomas, P.E.*
4. *Test report on Salt Spray Testing of Coating 1000 hours per ASTM B117-95, prepared by PRI Asphalt Technologies, Report No. VLS-001-02-01, dated January 19, 2004, signed and sealed by Charles L. Thomas, P.E.*
5. *Susceptibility to leakage test in accordance with FM 4471, Appendix G, prepared by Farabaugh Engineering and Testing, Inc., Report No. T308-07, dated April 22, 2008, signed and sealed by Daniel G. Farabaugh, P.E.*

C. CALCULATIONS

1. *Calculations titled "PBR Panel, 24 Ga.", 6 pages, prepared by Terrence E. Wolfe, P.E., signed and sealed by Terrence E. Wolfe, P.E. on October 29, 2008.*

D. QUALITY ASSURANCE

1. *By Miami-Dade County Building Code Compliance Office.*

E. MATERIAL CERTIFICATIONS

1. *Tensile Test, prepared by West Penn Material Evaluation, dated 09/12/2007.*

2. EVIDENCE SUBMITTED UNDER PREVIOUS APPROVAL # 09-0504.07

A. DRAWINGS

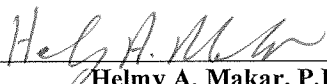
1. *None.*

B. TESTS

1. *None.*

C. CALCULATIONS

1. *None.*



Helmy A. Makar, P.E., M.S.

Product Control Section Supervisor
NOA No. 23-1113.06
Expiration Date: 12/04/2028
Approval Date: 01/04/2024

McElroy Metal, Inc.

NOTICE OF ACCEPTANCE: EVIDENCE SUBMITTED

D. QUALITY ASSURANCE

1. *By Miami-Dade County Building Code Compliance Office.*

E. MATERIAL CERTIFICATIONS

1. *None.*

3. EVIDENCE SUBMITTED UNDER PREVIOUS APPROVAL # 13-1024.02

A. DRAWINGS

1. *None.*

B. TESTS

1. *None.*

C. CALCULATIONS

1. *None.*

D. QUALITY ASSURANCE

1. *By Miami-Dade County Department of Regulatory and Economic Resources.*

E. MATERIAL CERTIFICATIONS

1. *None.*

F. STATEMENTS

1. *Letter of compliance with the Florida Building Code, 2010 Edition, prepared by Force Engineering & Testing, Inc., dated October 04, 2013, signed and sealed by Terrence E. Wolfe, P.E.*

4. EVIDENCE SUBMITTED UNDER PREVIOUS APPROVAL # 15-1013.07

A. DRAWINGS

1. *None.*

B. TESTS

1. *None.*

C. CALCULATIONS

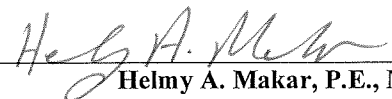
1. *None.*

D. QUALITY ASSURANCE

1. *By Miami-Dade County Department of Regulatory and Economic Resources.*

E. MATERIAL CERTIFICATIONS

1. *None.*



Helmy A. Makar, P.E., M.S.
Product Control Section Supervisor
NOA No. 23-1113.06
Expiration Date: 12/04/2028
Approval Date: 01/04/2024

McElroy Metal, Inc.

NOTICE OF ACCEPTANCE: EVIDENCE SUBMITTED

F. STATEMENTS

1. *Letter of compliance with the Florida Building Code, 2014 Edition, prepared by Force Engineering & Testing, Inc., dated September 08, 2015, signed and sealed by Terrence E. Wolfe, P.E.*

5. EVIDENCE SUBMITTED UNDER PREVIOUS APPROVAL # 17-0829.04

A. DRAWINGS

1. *None.*

B. TESTS

1. *None.*

C. CALCULATIONS

1. *None.*

D. QUALITY ASSURANCE

1. *By Miami-Dade County Department of Regulatory and Economic Resources.*

E. MATERIAL CERTIFICATIONS

1. *None.*

F. STATEMENTS

1. *Letter of compliance with the Florida Building Code, 2017 Edition, prepared by Force Engineering & Testing, Inc., dated 08/14/2017, signed and sealed by Terrence E. Wolfe, P.E.*

6. EVIDENCE SUBMITTED UNDER PREVIOUS APPROVAL # 18-1015.07

A. DRAWINGS

1. *None.*

B. TESTS

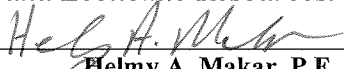
1. *Test report on Accelerated Weathering Testing of Coating 2000 hours per ASTM G26-96, prepared by PRI Asphalt Technologies, Report No. VLS-004-02-01, dated February 22, 2013, signed and sealed by Zachary R. Priest, P.E.*
2. *Test report on Salt Spray Testing of Coating 1000 hours per ASTM B117-95, prepared by PRI Asphalt Technologies, Report No. VLS-005-02-01, dated February 22, 2013, signed and sealed by Zachary R. Priest, P.E.*

C. CALCULATIONS

1. *None.*

D. QUALITY ASSURANCE

1. *By Miami-Dade County Department of Regulatory and Economic Resources.*



Helmy A. Makar, P.E., M.S.
Product Control Section Supervisor
NOA No. 23-1113.06
Expiration Date: 12/04/2028
Approval Date: 01/04/2024

McElroy Metal, Inc.

NOTICE OF ACCEPTANCE: EVIDENCE SUBMITTED

E. MATERIAL CERTIFICATIONS

1. *Tensile Test, prepared by Intertek, Report # G9475.02-106-18, dated May 10, 2017, signed and sealed by Joseph A. Reed, P.E.*

F. STATEMENTS

1. *Letter of compliance with the Florida Building Code, 2017 Edition, prepared by Force Engineering & Testing, Inc., dated 10/03/2018, signed and sealed by Terrence E. Wolfe, P.E.*

7. EVIDENCE SUBMITTED UNDER PREVIOUS APPROVAL # 20-1215.11

A. DRAWINGS

1. *Drawing No. E, titled " PBR - Roof Panel ", sheets 1 through 5 of 5, prepared by McElroy Metal, Inc. Engineering Services Dept., signed and sealed by Johnathan Green, P.E. on January 27, 2021.*

B. TESTS

1. *None.*

C. CALCULATIONS

1. *None.*

D. QUALITY ASSURANCE

1. *By Miami-Dade County Department of Regulatory and Economic Resources.*

E. MATERIAL CERTIFICATIONS

1. *None.*

F. STATEMENTS

1. *Letter of compliance with the Florida Building Code, 2020 Edition, prepared by Force Engineering & Testing, Inc., dated 11/12/2020, signed and sealed by Johnathan Green, P.E.*

8. NEW EVIDENCE SUBMITTED

A. DRAWINGS

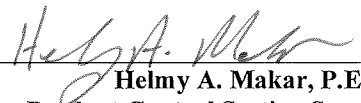
1. *Drawing No. E, titled " PBR - Roof Panel ", sheets 1 through 5 of 5, prepared by McElroy Metal, Inc. Engineering Services Dept., signed and sealed by Johnathan Green, P.E. on January 27, 2021.*

B. TESTS

1. *None.*

C. CALCULATIONS

1. *None.*



Helmy A. Makar, P.E., M.S.
Product Control Section Supervisor

NOA No. 23-1113.06

Expiration Date: 12/04/2028

Approval Date: 01/04/2024

McElroy Metal, Inc.

NOTICE OF ACCEPTANCE: EVIDENCE SUBMITTED

D. QUALITY ASSURANCE

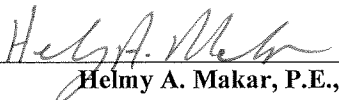
1. *By Miami-Dade County Department of Regulatory and Economic Resources.*

E. MATERIAL CERTIFICATIONS

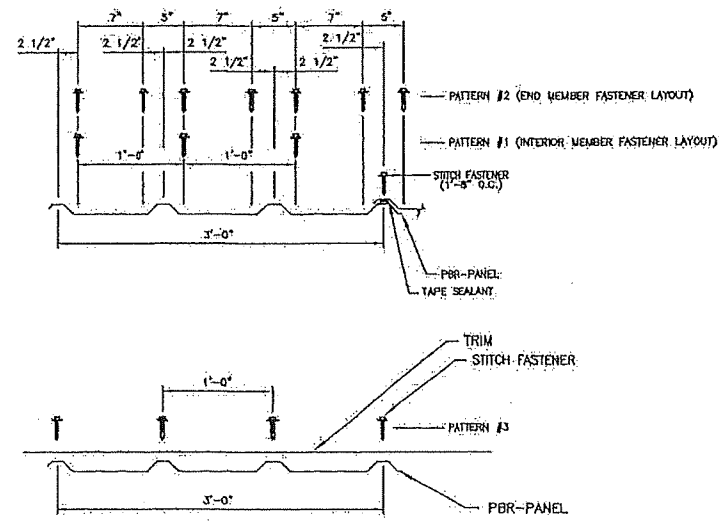
1. *None.*

F. STATEMENTS

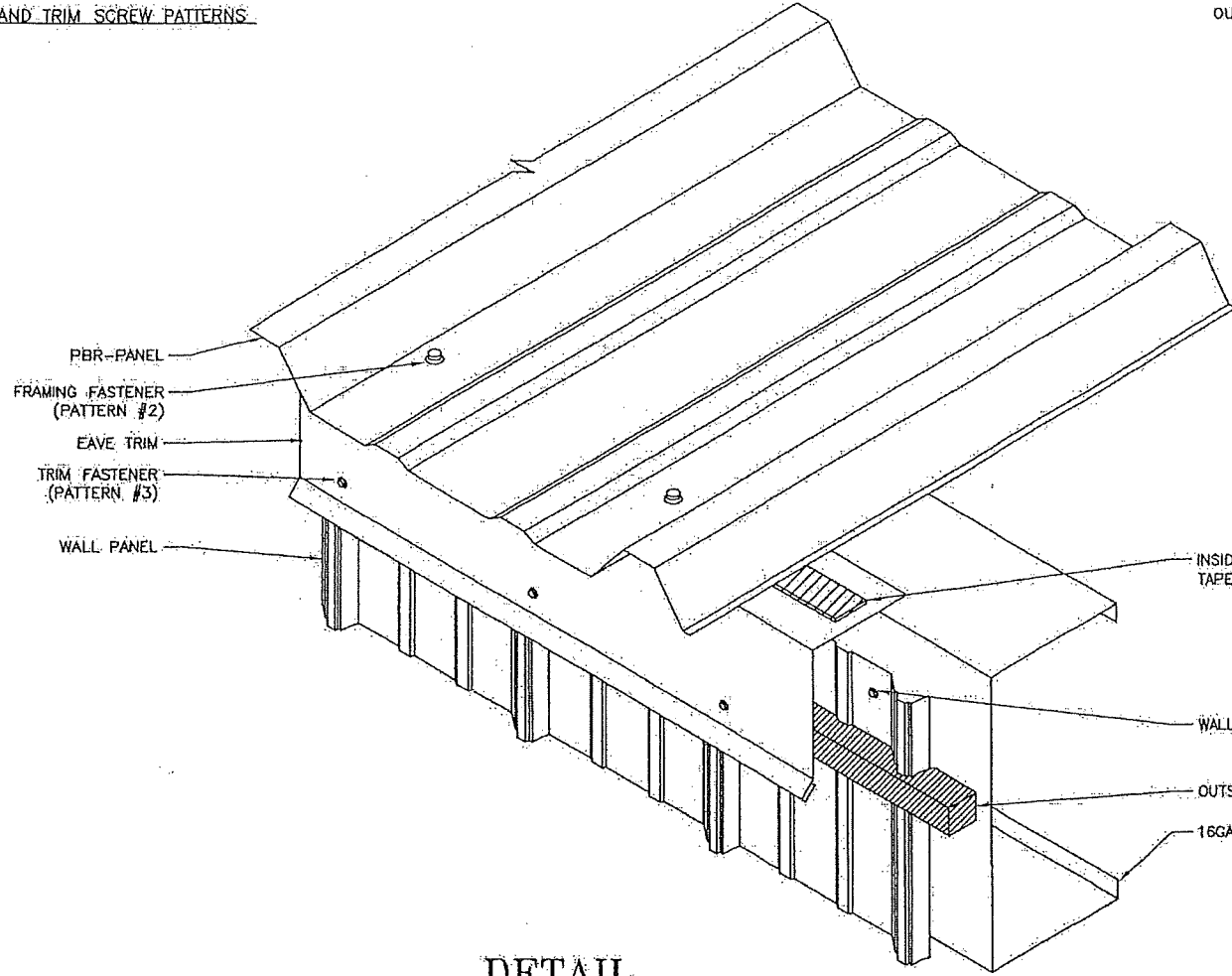
1. *Letter of compliance with the Florida Building Code, 2023 Edition, prepared by Force Engineering & Testing, Inc., dated 11/03/2023, signed and sealed by Johnathan Green, P.E., on 11/06/2023.*



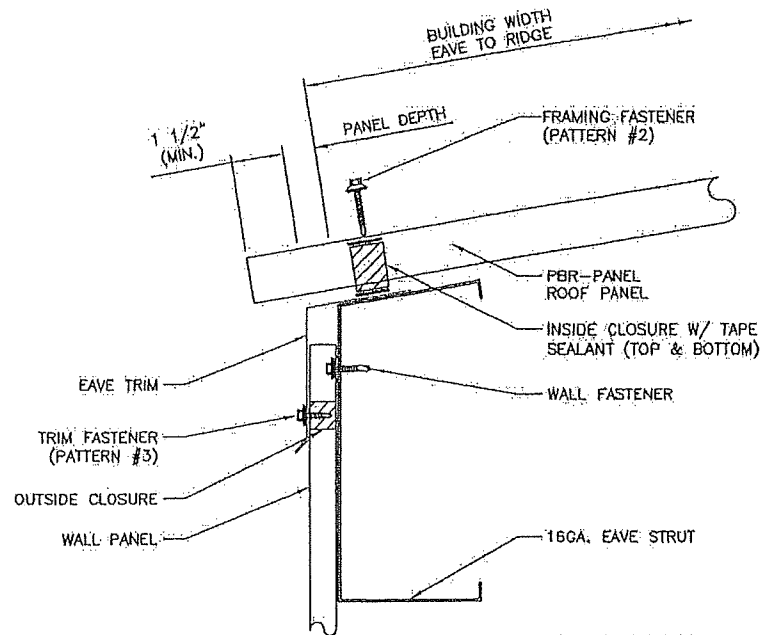
Helmy A. Makar, P.E., M.S.
Product Control Section Supervisor
NOA No. 23-1113.06
Expiration Date: 12/04/2028
Approval Date: 01/04/2024



R-PANEL FRAMING AND TRIM SCREW PATTERNS



DETAIL @ EAVE (ISOMETRIC VIEW)

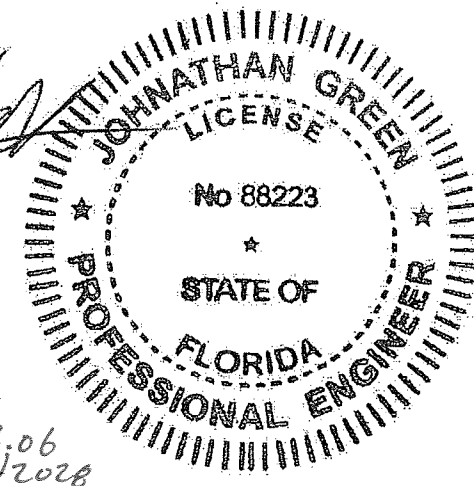


DETAIL @ EAVE

PRODUCT REVISED
 as complying with the Florida
 Building Code
 Acceptance No 20-1215.11
 Expiration Date 12/04/2023
 By *Heidi A. Walker*
 Miami Dade Product Control

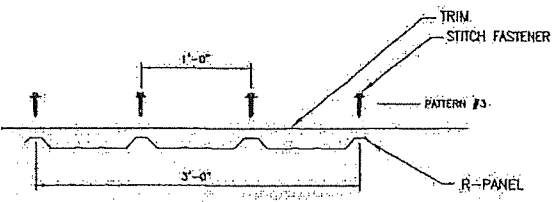
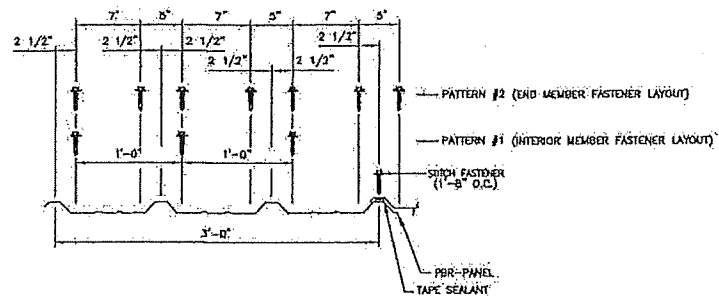
INSIDE CLOSURE W/
 TAPE (TOP & BOTTOM)
 WALL FASTENER
 OUTSIDE CLOSURE
 16GA. EAVE STRUT

PRODUCT REVISED
 as complying with the Florida
 Building Code
 Acceptance No 23-1113.06
 Expiration Date 12/04/2028
 By *Heidi A. Walker*
 Miami Dade Product Control

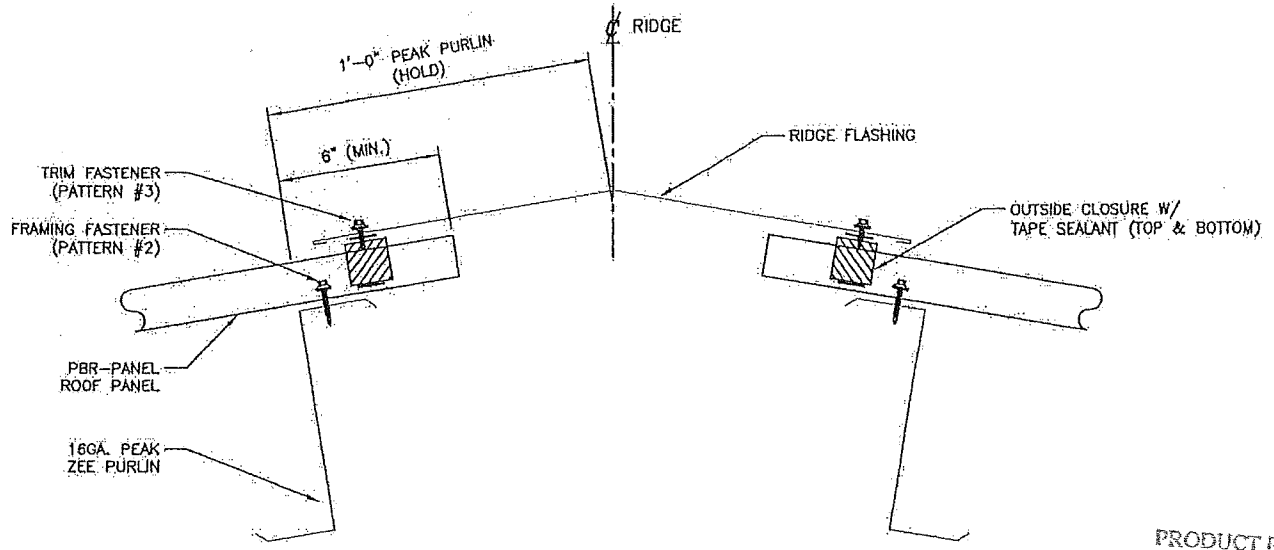
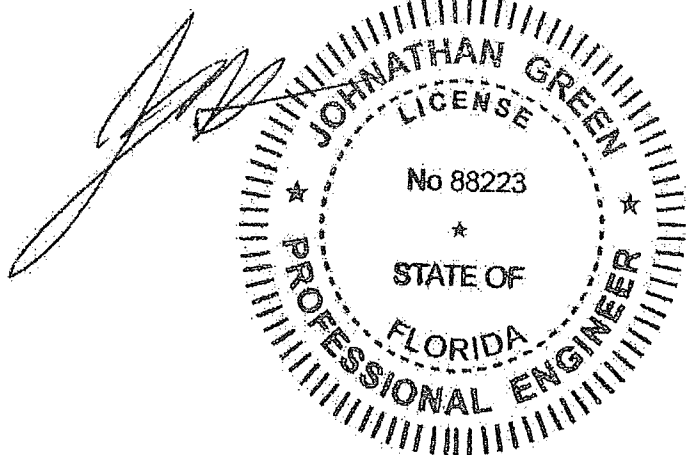


FOR CONSTRUCTION

McELROY METAL, INC ENGINEERING SERVICES DEPT. 1800 HAMILTON ROAD - BOSSIER CITY, LA. (504) 747-8000	
	
Dade County Testing PBR-PANEL WATERHEAD TEST McELROY METAL, INC.	
SCALE:	N.T.S.
DATE:	1/27/2021
OWN. BY:	J. PURDY
CHKD BY:	E. OSTER
LOG NO.:	
	E1 of 5
DATE CHG. NO.	000 B



R-PANEL FRAMING AND TRIM SCREW PATTERNS



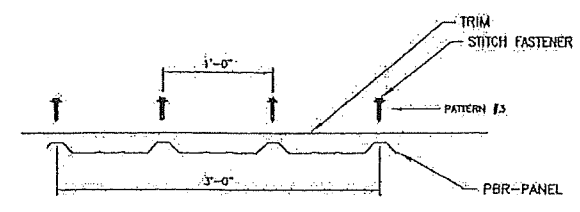
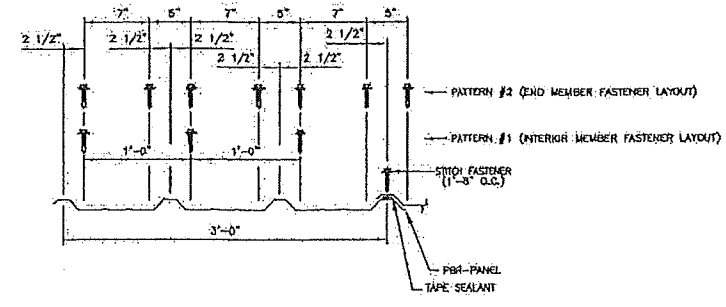
DETAIL @ RIDGE

PRODUCT REVISED
 as complying with the Florida
 Building Code
 Acceptance No 20-1215.11
 Expiration Date 12/04/2023
 By *Heidi A. Miller*
 Miami Dade Product Control

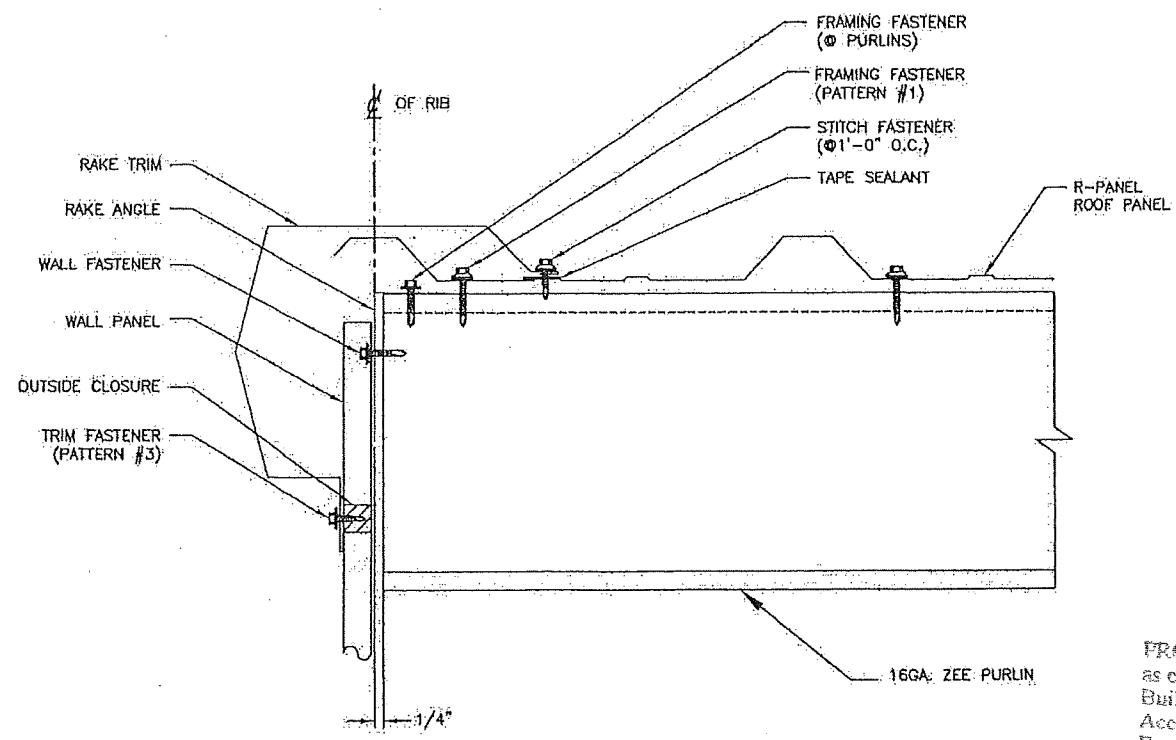
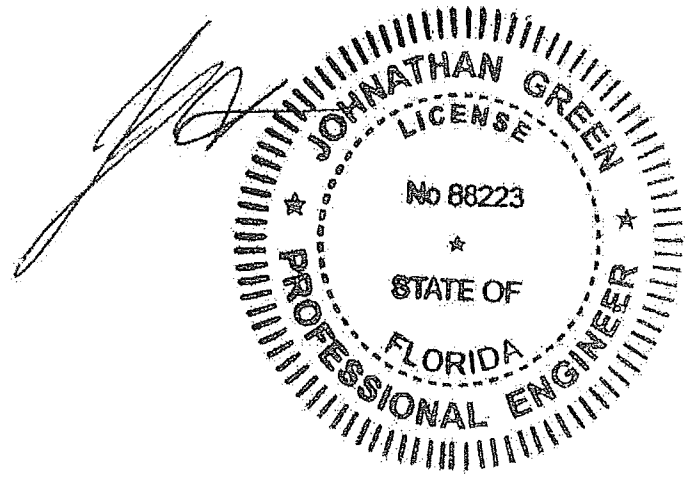
PRODUCT REVISED
 as complying with the Florida
 Building Code
 Acceptance No 23-1113.06
 Expiration Date 12/04/2028
 By *Heidi A. Miller*
 Miami Dade Product Control

FOR CONSTRUCTION

McELROY METAL, INC ENGINEERING SERVICES DEPT. 1800 HAMILTON ROAD - BOCA RATON CITY, FL 33433-7400	
DADE COUNTY TESTING PBR-PANEL WATERHEAD TEST McELROY METAL, INC.	
SCALE: N.T.S.	
DATE: 1/27/2021	
DWN BY: J. PURDY	
CHKD BY: E. OSTEF	
LOG NO:	
E2 OF 5	
CASE NO. 23-1113.06	REV. B



R-PANEL FRAMING AND TRIM SCREW PATTERNS



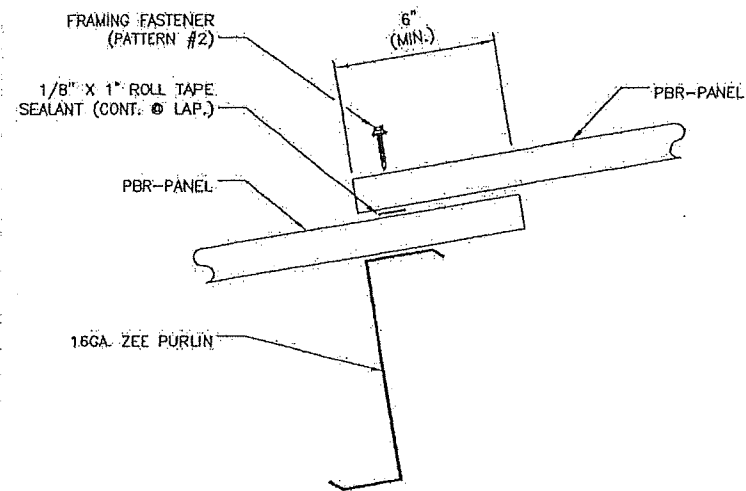
DETAIL @ RAKE

PRODUCT REVISED
 as complying with the Florida
 Building Code
 Acceptance No **23-1113.06**
 Expiration Date **12/04/2028**
 By *Healy A. Healy*
 Miami Date Product Control

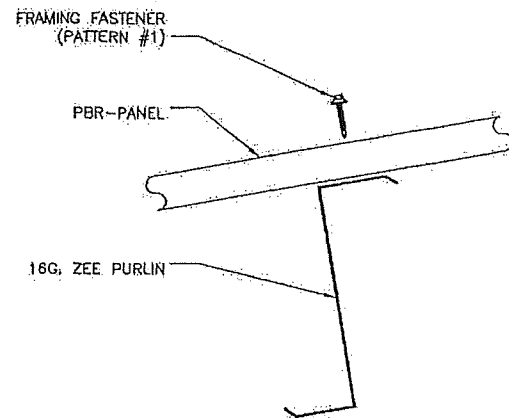
PRODUCT REVISED
 as complying with the Florida
 Building Code
 Acceptance No **20-1215.11**
 Expiration Date **12/04/2023**
 By *Healy A. Healy*
 Miami Date Product Control

FOR CONSTRUCTION

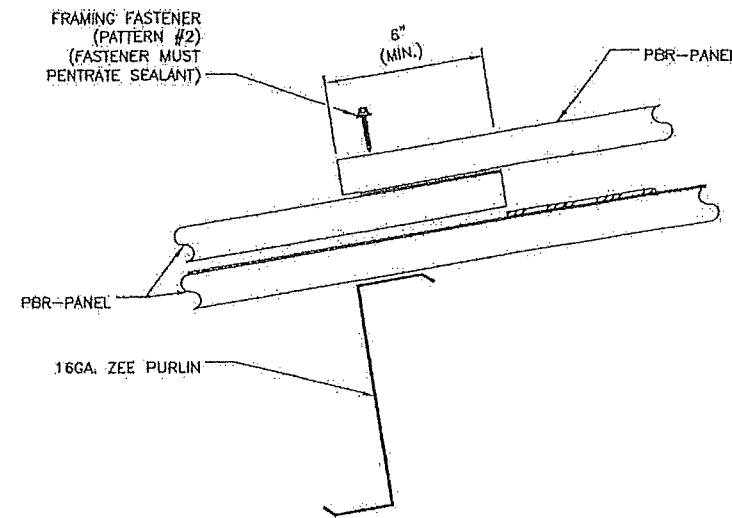
MCELROY METAL, INC ENGINEERING SERVICES DEPT. 1500 HAMILTON ROAD - BOSSIERE CITY, LA. (504) 747-9000	
DADE COUNTY TESTING PBR-PANEL WATERHEAD TEST MCELROY METAL, INC.	
SCALE: N.T.S.	
DATE: 1/27/2021	
DWN. BY: J. PURDY	
CHKD BY: E. OSTEL	
LOG NO:	
E3 OF 5	
DATE: 12/04/2021	BY: B



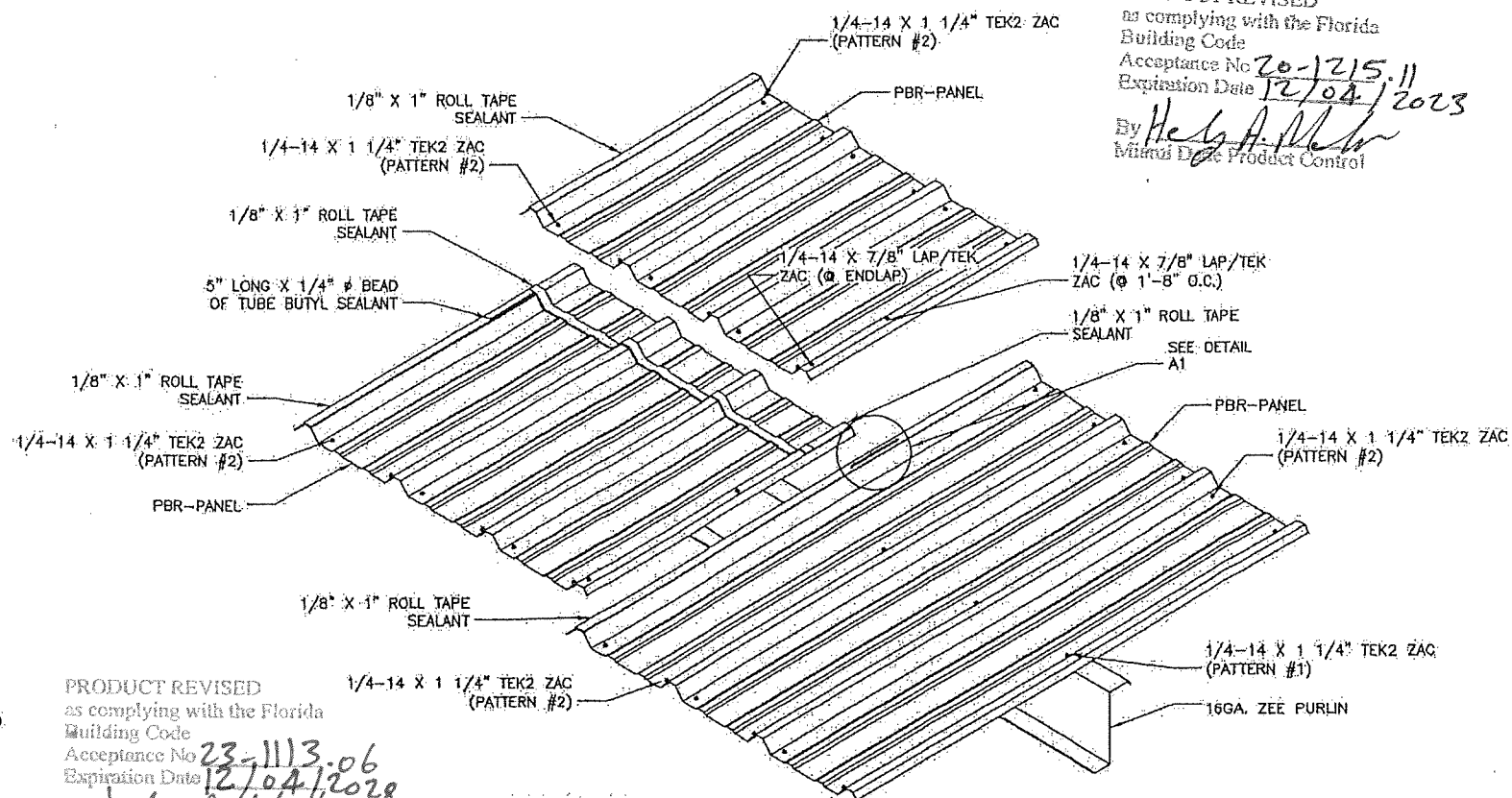
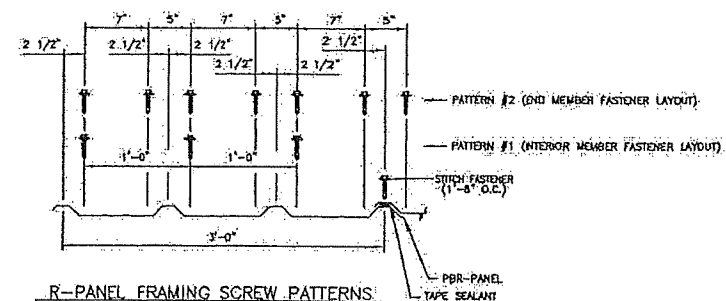
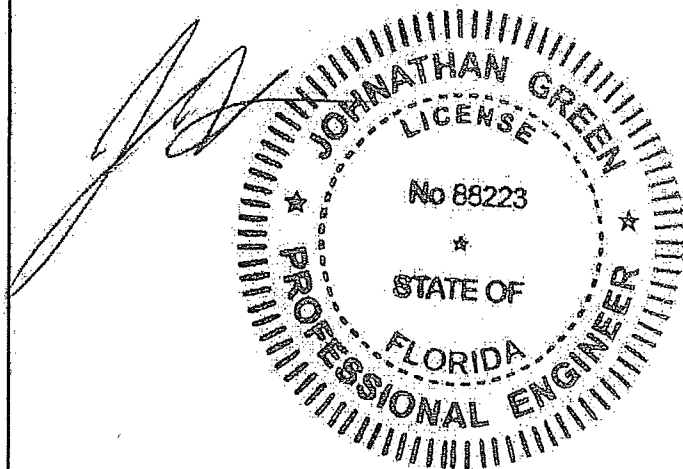
DETAIL
@ PANEL LAP



DETAIL
@ ITERMEDIATE PURLIN



DETAIL A1

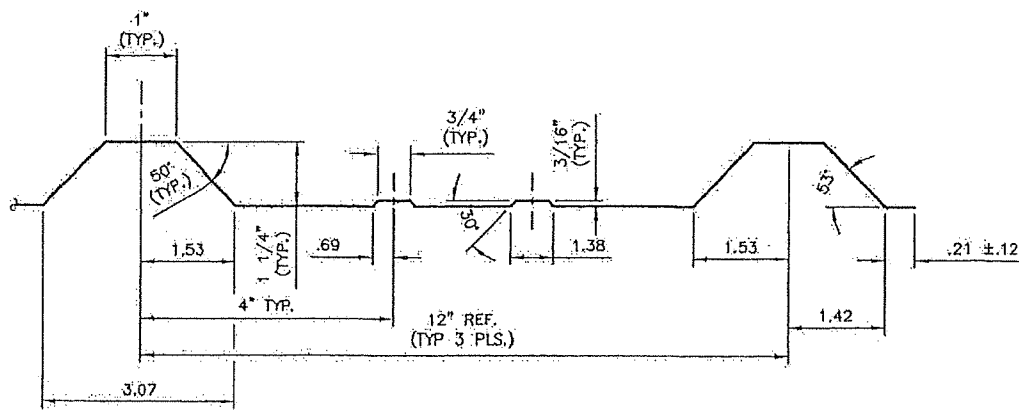


PRODUCT REVISED
as complying with the Florida
Building Code
Acceptance No. 23-1113.06
Expiration Date 12/04/2028
By *Hely A. M...*
Miami Data Product Control

DETAIL
@ PANEL LAP
(ISOMETRIC)

PRODUCT REVISED
as complying with the Florida
Building Code
Acceptance No. 20-1215.11
Expiration Date 12/04/2023
By *Hely A. M...*
Miami Data Product Control

McELROY METAL, INC. ENGINEERING SERVICES DEPT. 1800 HAMILTON ROAD - BOSSIER CITY, LA 70119 747-8000	
DADE COUNTY TESTING PBR-PANEL WATERHEAD TEST McELROY METAL, INC.	
SCALE: N.T.S.	DATE: 1/27/2021
DWN. BY: J. PURDY	
CHKD BY: E. OSTEF	
LOG No. _____	
E4 of 5	
FOR CONSTRUCTION	



NOTES:

1. THE MAXIMUM UPLIFT DESIGN PRESSURE SHALL BE CALCULATED USING THE FOLLOWING ALLOWABLES:

- POSITIVE PRESSURE

A) MAXIMUM ALLOWABLE BENDING MOMENT OF THE PANEL AT SUPPORTS = 119.75 FT. LB.
 B) MAXIMUM ALLOWABLE BENDING MOMENT OF THE PANEL BETWEEN SUPPORTS = 95.9 FT. LB.
 C) MAXIMUM ALLOWABLE DEFLECTION OF ROOF PANEL = L/240
 D) MAXIMUM SUPPORT REACTION = 85.8 LBS. EXT.
 E) EI = 1.4276 X 10⁸ LB-IN² = 283.45 LBS. INT.

- NEGATIVE PRESSURE

A) MAXIMUM ALLOWABLE BENDING MOMENT OF THE PANEL AT SUPPORTS = 106.75 FT. LB.
 B) MAXIMUM ALLOWABLE BENDING MOMENT OF THE PANEL BETWEEN SUPPORTS = 85.4 FT. LB.
 C) MAXIMUM ALLOWABLE DEFLECTION OF ROOF PANEL = L/240
 D) MAXIMUM SUPPORT REACTION = 85.4 LBS. EXT.
 E) EI = 1.2728 X 10⁸ LB-IN² = 234.85 LBS. INT.

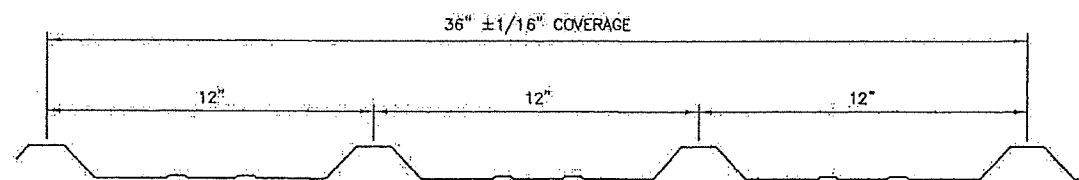
2. THE MAXIMUM ALLOWABLE SPANS & PRESSURES ARE AS FOLLOWS:

- POSITIVE PRESSURE

SPAN	PRESSURE
5'-0"	47.9 PSF
2'-0"	156.65 PSF

- NEGATIVE PRESSURE

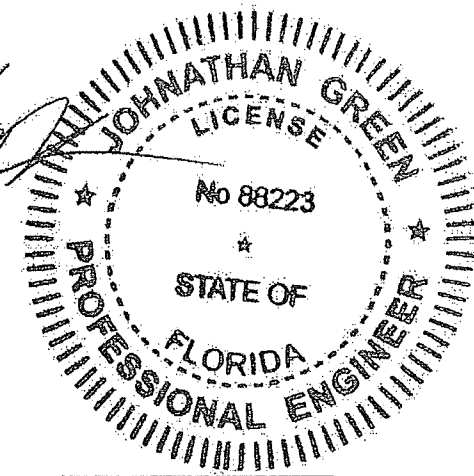
SPAN	PRESSURE
5'-0"	42.7 PSF
2'-0"	117.65 PSF



PRODUCT REVISED
 as complying with the Florida
 Building Code
 Acceptance No 20-1215.11
 Expiration Date 12/04/2023
 By *Helga A. Mohr*
 Miami Dade Product Control

PBR - PANEL

PRODUCT REVISED
 as complying with the Florida
 Building Code
 Acceptance No 23-1113.06
 Expiration Date 12/04/2028
 By *Helga A. Mohr*
 Miami Dade Product Control



PANEL ACCESSORIES

- 1/4"-14 X 7/8" LAF/TEK ZAC
819-SPS W/EG
* SEE NOTE BELOW
 - 1/4"-14 X 3/4" TEK2 ZAC
819-SPS W/EG
* SEE NOTE BELOW
- NOTE:
ZAC IS A ZINC ALUMINUM CAP
WITH A 5/8" DIA. NEOPRENE
SEALING WASHER.
- SKALASTONER 511 TUBE SEALANT
BY SKA
 - SKAFLEX 201 URETHANE TUBE SEALANT
BY SKA
 - 1/2" X 1/2" BUTYL ROLL TAPE SEALANT
BY SONNIE-MOREHEAD

PANEL PROPERTIES

ASTM	PANEL GAUGE	PANEL THICKNESS	YIELD STRENGTH	TENSILE STRENGTH	STEEL COATING	PAINT COATINGS
A792	24	.023 (MIN.)	50 KSI (MIN.)	65 KSI (MIN.)	AZ 55 (BARE) AZ 50 (PAINTED)	KYNAR 500

FOR CONSTRUCTION

McELROY METAL, INC
 ENGINEERING SERVICES DEPT.
 1500 HAMILTON ROAD - BOSSIER CITY, LA. (504) 747-5000

DADE COUNTY TESTING
 PBR-PANEL WATERHEAD TEST
 McELROY METAL, INC.

SCALE: N.T.S.
 DATE: 1/27/2021
 DWN. BY: J. PURDY
 CHKO BY: E. OSTEI
 LOG No: _____
 E5 OF 5