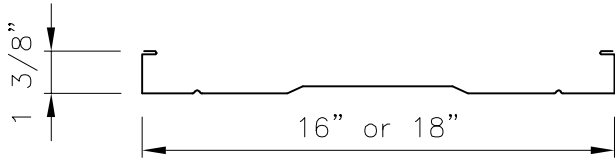
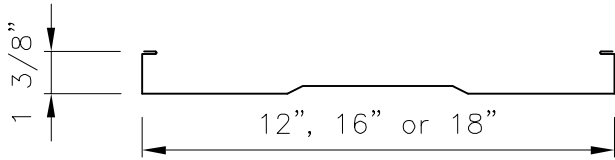


138T Symmetrical Panel

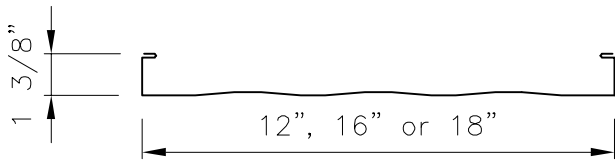
Product Data



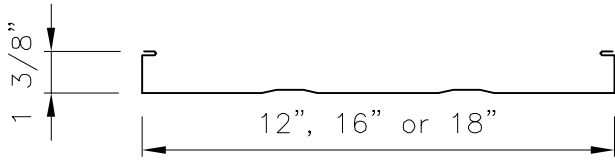
PLANK & PENCIL PROFILE (Standard)



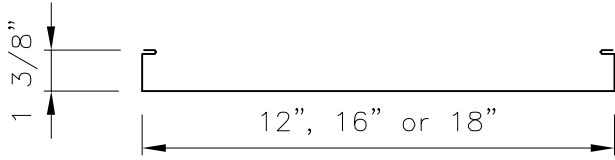
PLANK PROFILE



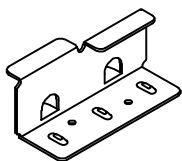
STRIATED PROFILE



MINOR RIBS PROFILE

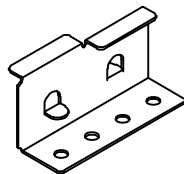


FLAT PROFILE



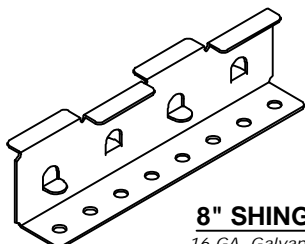
STANDARD CLIP

16 GA. Galvanized G90 - ASTM A635 (50 ksi)
16 GA. Stainless 304SS - ASTM A240 (50 ksi)



4" ASV CLIP

16 GA. Galvanized G90 - ASTM A635 (50 ksi)
16 GA. Stainless 304SS - ASTM A240 (50 ksi)



8" SHINGLE RECOVER CLIP

16 GA. Galvanized G90 - ASTM A635 (50 ksi)
16 GA. Stainless 304SS - ASTM A240 (50 ksi)

Applications

Symmetrical roof/wall panel used on slopes down to 1:12. Continuous length up to 80'. Convex curving only - 10ft minimum radius.

Substrates

Plywood, Metal Deck

Material

Standard - 24 GA. ASTM A792 (50 ksi)

Optional - 22 GA. ASTM A792 (50 ksi)

- .040 Aluminum ASTM B209 3003

- 20oz. & 16oz. Copper ASTM B307 cold-rolled sheet

H00 or H01 Temper ****Special Order/Houston Plant Only****

Manufacturing

Roll formed in factory or at jobsite.

Finishes

Acrylic Coated Galvalume®

Fluoropolymer (Kynar 500® PVDF resin-based)

Pan Conditions

Plank & Pencil Rib, Plank, Striated, Minor Ribs and Flat

(Oil canning is inherent in all metal panels and is not cause for panel rejection. A signed oil canning acknowledgement will be required for all orders prior to production.)

Testing *

Uplift: UL 580, UL 1897, ASTM E1592

Air & Water Infiltration: ASTM E1680, ASTM E1646

Florida Product Approval: FL 22330 (Shingle Recover System)

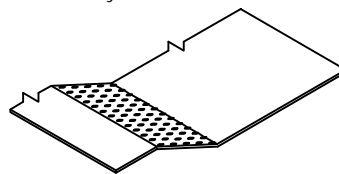
Impact Resistance: UL Class 4, FM Class 1-SH

Texas Department of Insurance# RC-664 (for 16" Panel in 0.040" Aluminum only)

*Testing and Approvals are product specific. Please inquire for details. *

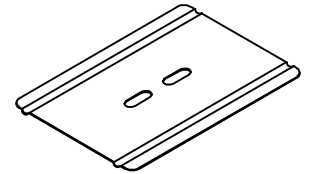
NOTE:

All data represented on this sheet may not be applicable to all widths and gauges. Please contact McElroy Metal for more information.



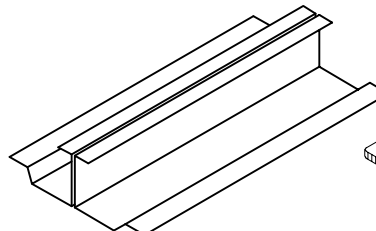
VENTED EAVE/RIDGE TRIM for 138T

0.063 Aluminum - ASTM B209 3003



BEARING PLATE

24 GA. - ASTM A792 (50 ksi)



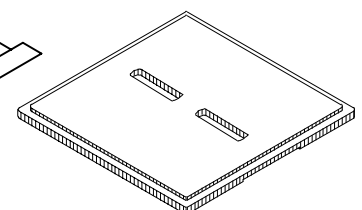
MULTI-SPAN CLIP

2-Piece

Standard: 24 GA. - ASTM A792 (50 ksi)

Optional: 22 GA. - ASTM A792 (50 ksi)

Typically sold in 10' lengths

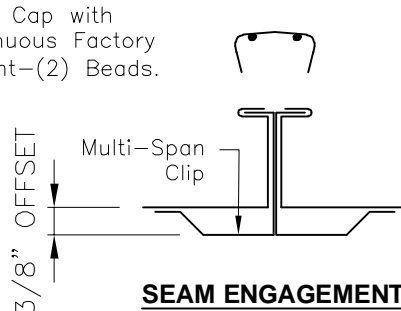
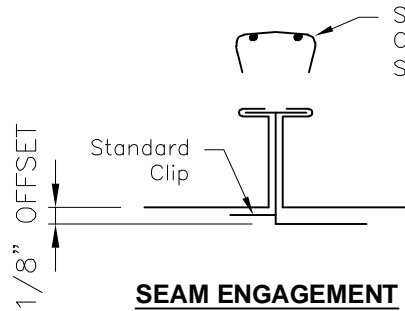


STACKABLE LEVELING SHIM

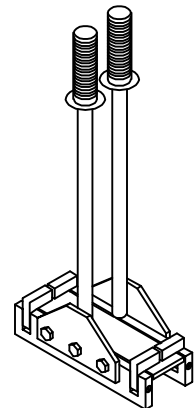
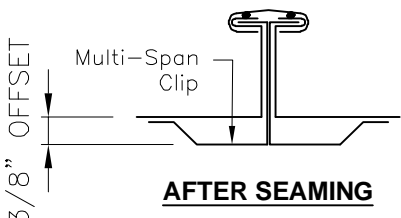
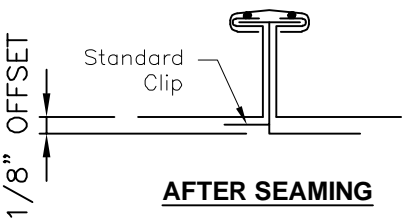
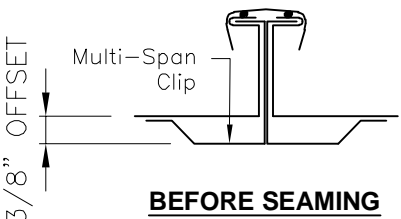
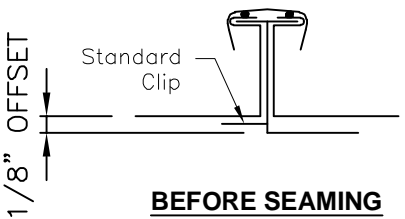
6" x 6" x 1/4" Thick

138T Symmetrical Panel (Continued)

Product Data



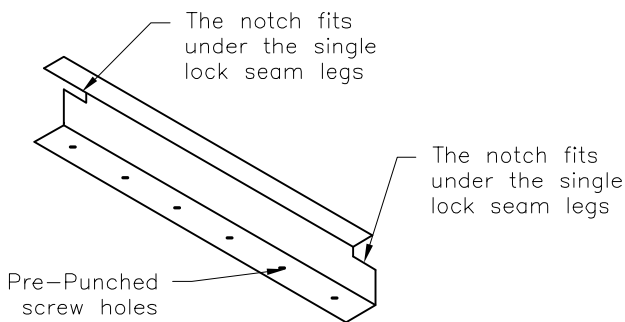
MECHANICAL SEAMER



HAND SEAMER

NOTE:

All data represented on this sheet may not be applicable to all widths and gauges. Please contact McElroy Metal for more information.



CLOSURE

Optimum Widths 16"
Additional lengths for hips available.
24 GA. - ASTM A792 (50 ksi)

