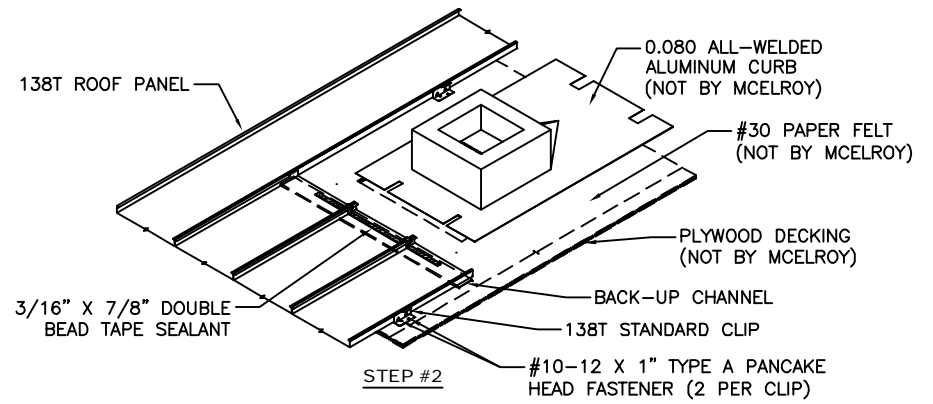
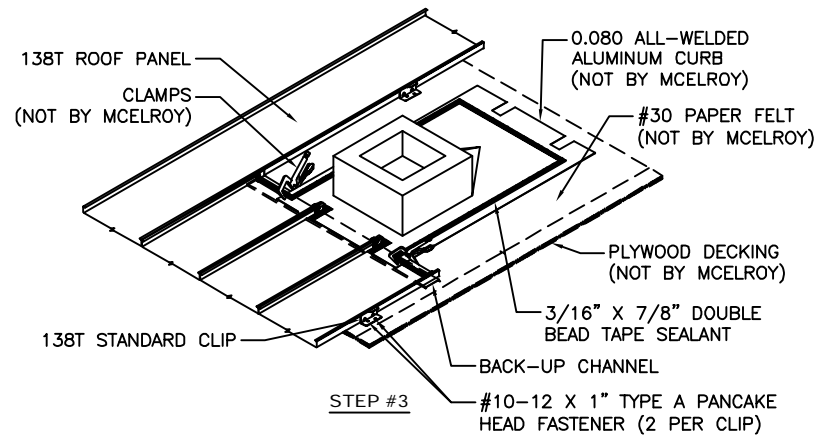


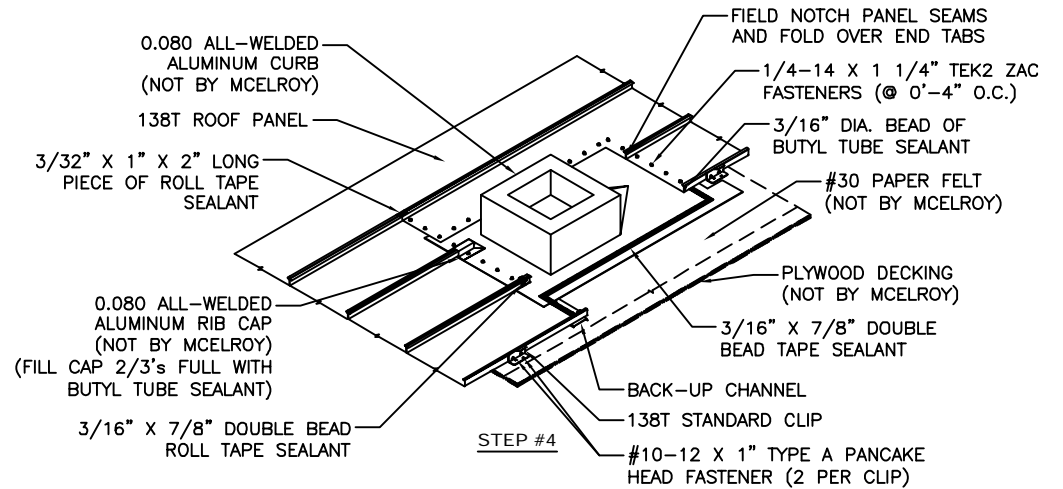
STEP #1



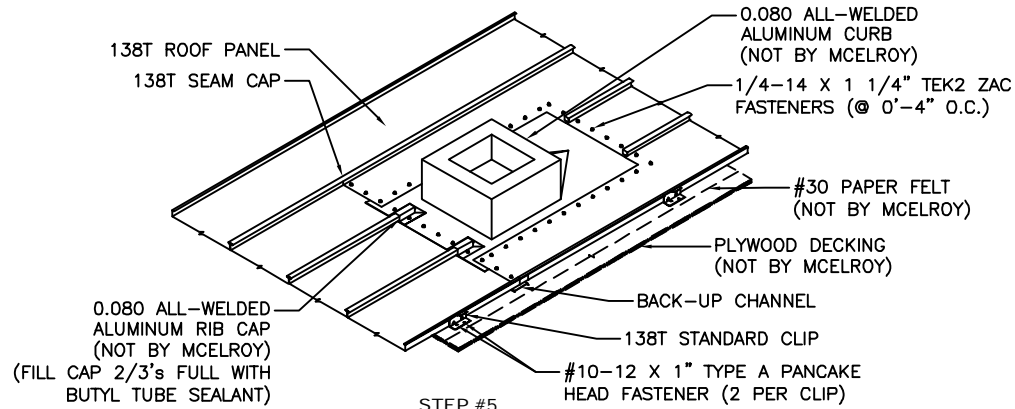
STEP #2



STEP #3



STEP #4



STEP #5



CURB DETAILS

ROOF PANEL: 138T

SUBSTRATE: PLYWOOD

ISSUE/REVISION DATE:

06/25/2020

SCALE: N.T.S.