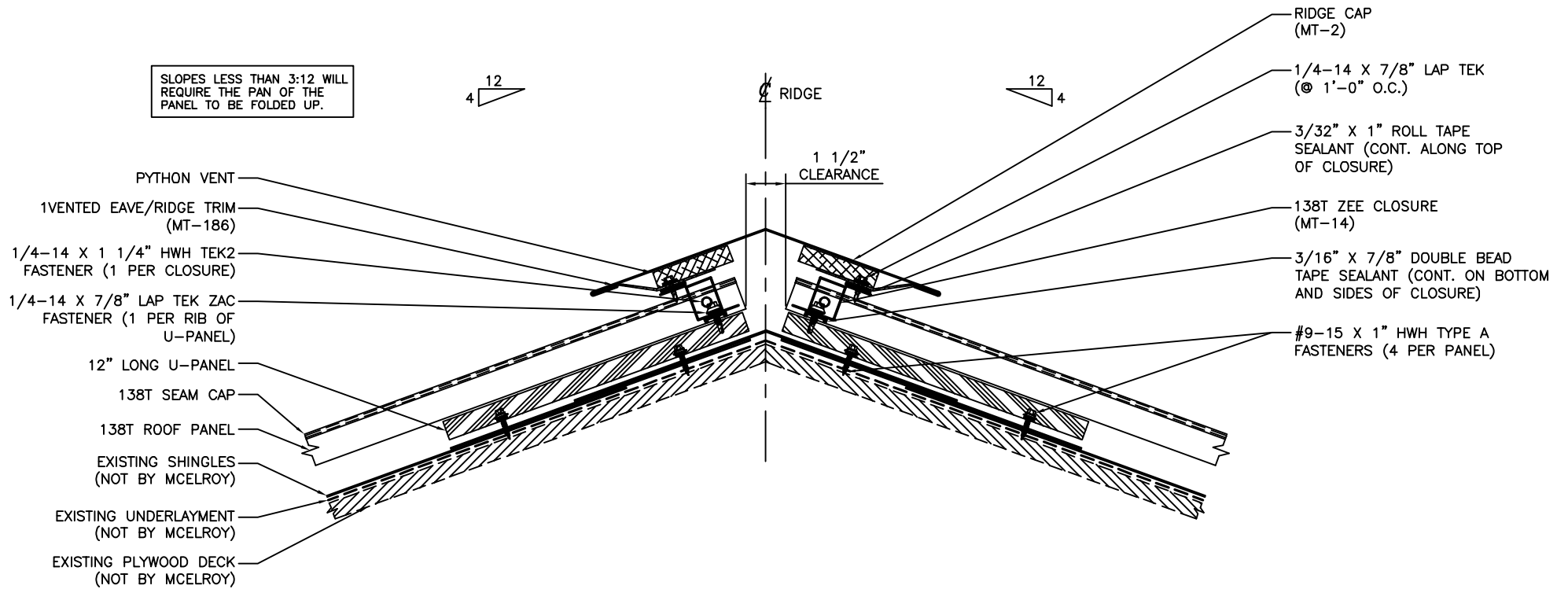


SLOPES LESS THAN 3:12 WILL REQUIRE THE PAN OF THE PANEL TO BE FOLDED UP.



- PYTHON VENT
- VENTED EAVE/RIDGE TRIM (MT-186)
- 1/4-14 X 1 1/4" HWH TEK2 FASTENER (1 PER CLOSURE)
- 1/4-14 X 7/8" LAP TEK ZAC FASTENER (1 PER RIB OF U-PANEL)
- 12" LONG U-PANEL
- 138T SEAM CAP
- 138T ROOF PANEL
- EXISTING SHINGLES (NOT BY MCELROY)
- EXISTING UNDERLAYMENT (NOT BY MCELROY)
- EXISTING PLYWOOD DECK (NOT BY MCELROY)

- RIDGE CAP (MT-2)
- 1/4-14 X 7/8" LAP TEK (@ 1'-0" O.C.)
- 3/32" X 1" ROLL TAPE SEALANT (CONT. ALONG TOP OF CLOSURE)
- 138T ZEE CLOSURE (MT-14)
- 3/16" X 7/8" DOUBLE BEAD TAPE SEALANT (CONT. ON BOTTOM AND SIDES OF CLOSURE)
- #9-15 X 1" HWH TYPE A FASTENERS (4 PER PANEL)



RIDGE DETAIL

ROOF PANEL: 138T

SUBSTRATE: SHINGLE DECKED

ISSUE/REVISION DATE:

03/10/2016

SCALE: N.T.S.