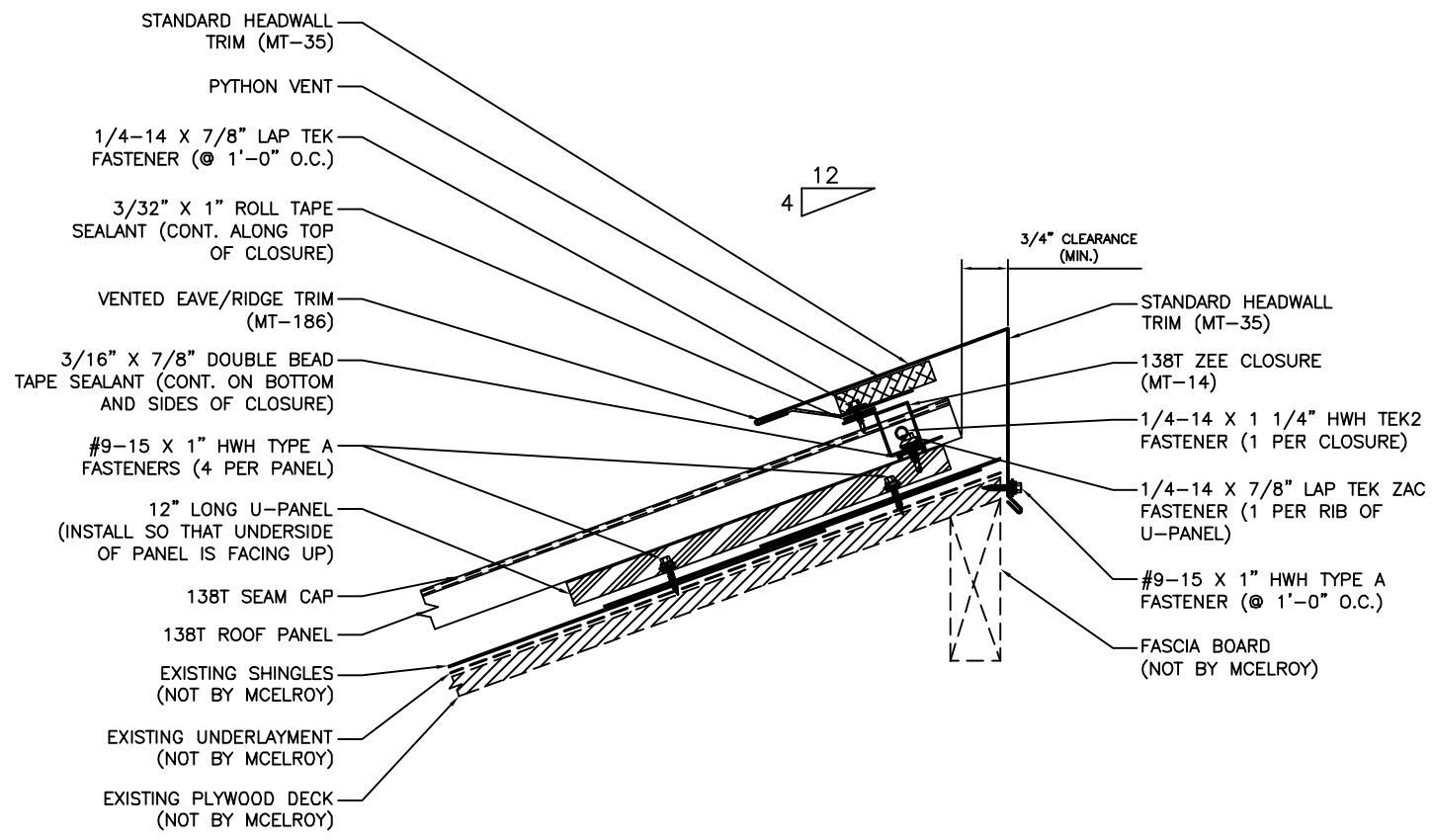


SLOPES LESS THAN 3:12 WILL REQUIRE THE PAN OF THE PANEL TO BE FOLDED UP.



HIGH EAVE DETAIL

ISSUE/REVISION DATE:

07/08/2021

ROOF PANEL: 138T

SUBSTRATE: SHINGLE DECKED

SCALE: N.T.S.