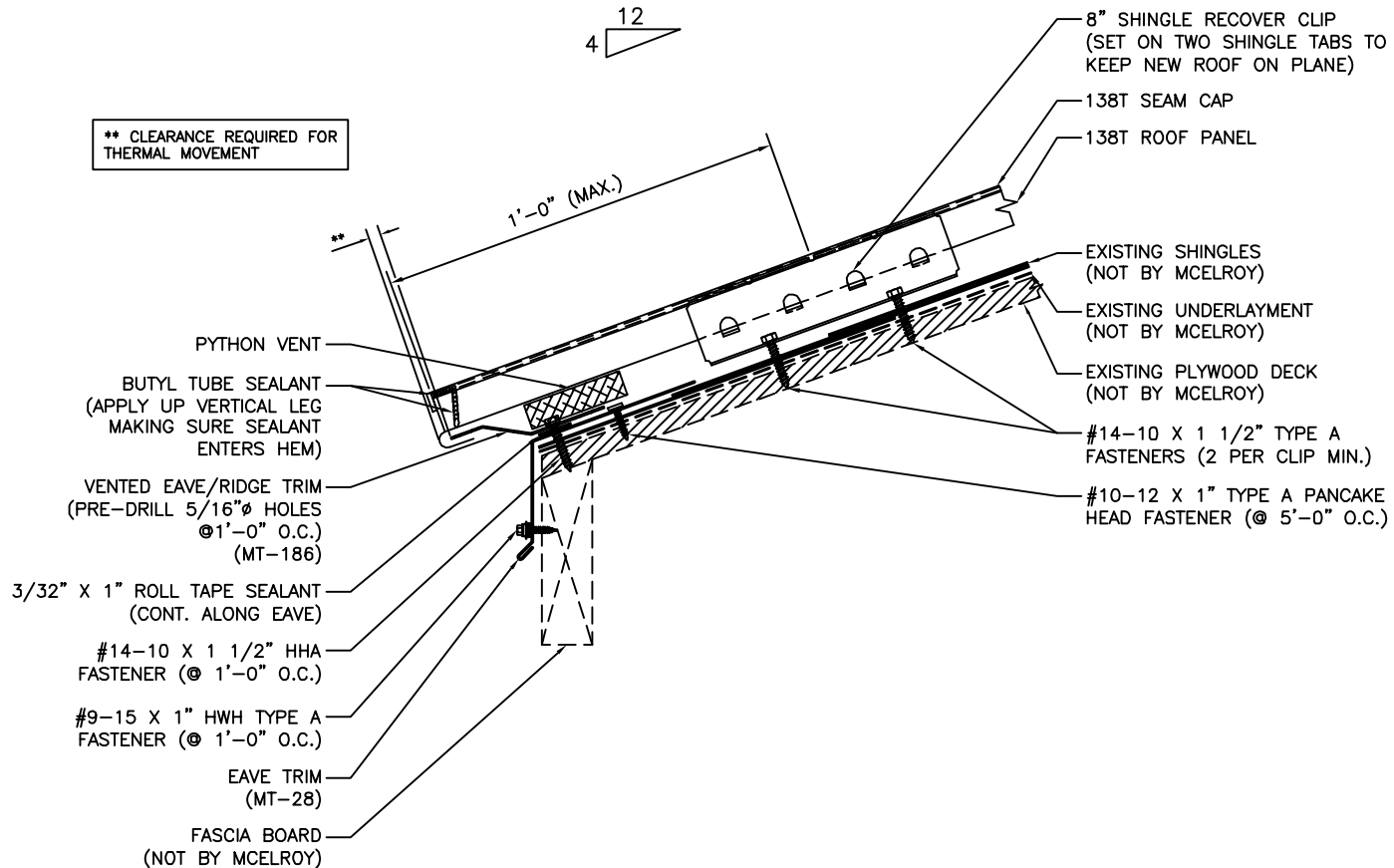


12
4

** CLEARANCE REQUIRED FOR THERMAL MOVEMENT



EAVE DETAIL

ISSUE/REVISION DATE:

03/10/2016

ROOF PANEL: 138T

SUBSTRATE: SHINGLE RECOVER

SCALE: N.T.S.