

Technical Bulletin

Issue Date: September 9, 2002

Revised: August 7, 2024

No. 03-146-02

UL Construction #468

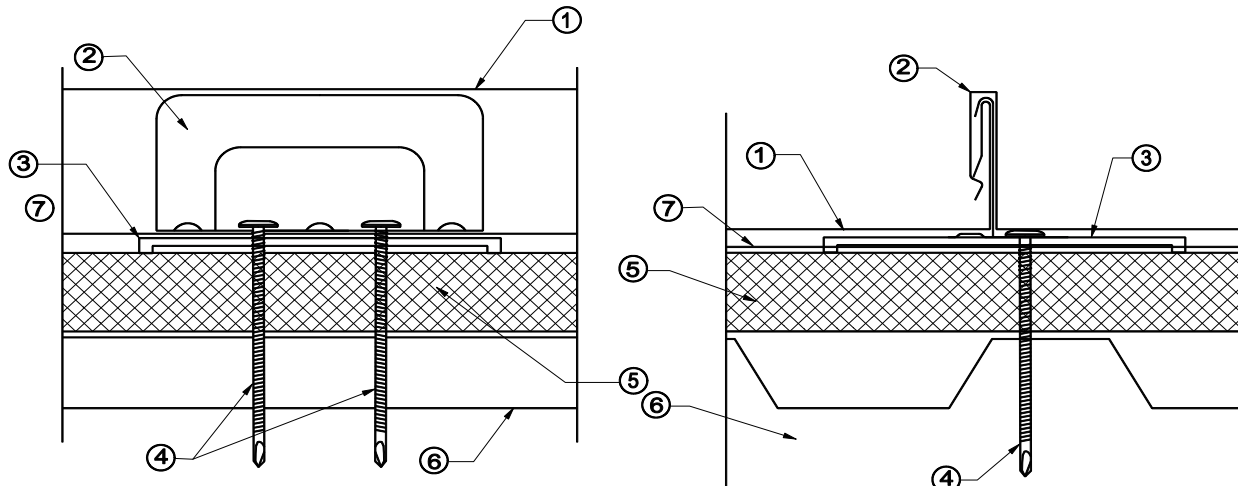
Medallion Lok

UL580 Class 90 Wind Uplift

1. **Metal Roof Deck Panels*** - No. 24 MSG min thickness coated steel panels. Panel width 18 in. maximum. Panel ribs to be 1-3/4 in. high. Panels continuous over three or more clips with no end laps.
McElroy Metal Mill, Inc. "Medallion-Lok"
2. **Roof Deck Fasteners* - (Panel Clips)** - One piece assembly, No. 18 MSG min thickness, 3-1/2 in. wide, 1-7/8 in. high. Clip spacing to be 48 in. OC. Clips to interface with Item 3 bearing plate.
McElroy Metal Mill, Inc. "Medallion-Lok Clip"
3. **Bearing Plate** - One piece assembly, No. 18 MSG in thickness steel, 3-7/8 in. wide, 6 in. long. (50,000 psi min yield strength).
4. **Panel Fasteners - (Screws)** - Fasteners used to attach panel clips and bearing plates (Items 2 and 3) through rigid insulation and into light gauge steel deck (Item No. 6) to be No. 14 diameter with Phillips or square drive head, self-drilling steel screws. Two screws per clip to be used, inserted through 1/4 in. diam guide holes. Fastener length to penetrate metal deck (Item 6) min of 1/2 in.
5. **Foamed Plastic - (Rigid Insulation)** - Min thickness 1 in., max thickness 10 in. Density to be a min of 2 pcf. As an alternate, 7/16 in. thick oriented strand board (OSB) may be placed on top of the rigid insulation provided combined thickness of OSB and rigid insulation does not exceed 10 in. max.
6. **Liner Panel** - Min thickness No. 22 MSG. Coated steel (33,000 psi) min yield strength, min depth 1-1/2 in., fabricated to various profiles.
7. **Underlayment** - One ply of 30 lb roofing felt or one layer of bituminous resin type water proofing membrane.
8. **Supports - (Not Shown)** - Used to support liner panels, spaced per deck manufacturer's specifications. The following items may be used in conjunction with the "Medallion-Lok" Metal Roof Deck Panels (Item 1).
 - A. **Batten Clips*** - Slipped over ribs formed by roof deck panels. One piece assembly, 1-3/4 in. high, 1-3/4 in. max width, with four legs and two arms. Formed to engage ribs of "Medallion-Lok" Panels and Batten Cap (Item B). Clips spaced 48 in. OC.
McElroy Metal Mill, Inc. "Medallion-Lok Batten Clip"
 - B. **Batten Cap*** - Slipped over batten clip. Two inches high, 1-1/2 in. wide at top with sides formed to engage batten clip (Item A). Snapped over batten clips.
McElroy Metal Mill, Inc. "Medallion-Lok Batten Clip"

Refer to General Information, Roof Deck Construction, (Roofing Materials and Systems Directory) for items not evaluated.

*Indicates such products shall bear the UL or cUL Certification Mark for jurisdictions employing the UL or cUL Certification (such as Canada), respectively.



MANUFACTURING LOCATIONS

ADELANTO, CA	ASHBURN, GA	BOSSIER CITY, LA	CLINTON, IL	DIAMOND, MO	HOUSTON, TX	LEWISPORT, KY
MARSHALL, MI	MAUSTON, WI	MERKEL, TX	PEACHTREE CITY, GA	SUNNYVALE, TX	WINCHESTER, VA	